

VC.692 | Lobe knobs with solid section

Technopolymer, easy cleaning



MATERIAL

Glass-fibre reinforced polyamide based (PA) technopolymer, black colour, matte finish.

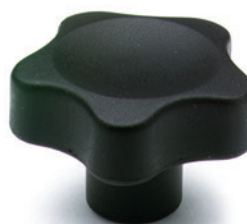
STANDARD EXECUTIONS

- **VC.692-B**: brass boss, threaded blind hole.
- **VC.692-SST**: AISI 303 stainless steel boss, threaded blind hole.
- **VC.692-p**: zinc-plated steel threaded stud, chamfered flat end according to UNI 947 : ISO 4753 (see Technical data on page A-11).
- **VC.692-SST-p**: AISI 303 stainless steel threaded stud, chamfered flat end according to UNI 947 : ISO 4753 (see Technical data on page A-11).

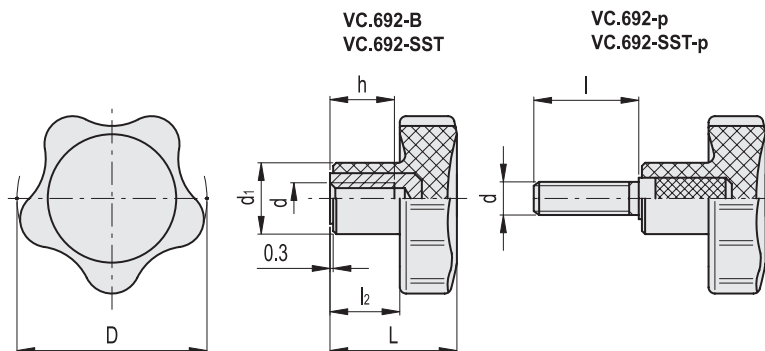
FEATURES AND APPLICATIONS

The exclusive five-lobe shape (ELESA original design) offers the operator's fingers a proper grip and prevents unhealthy residues from depositing thanks to its solid shape without cavities.

The metal insert in AISI 303 stainless steel can be used in sectors where corrosion resistant materials are required.



ELESA Original design



VC.692-B

Code	Description	D	d6H	L	d1	l2	h	⚖️
166111	VC.692/25 B-M4	25	M4	20	12	10	10	7
166112	VC.692/25 B-M5	25	M5	20	12	10	10	7
166113	VC.692/25 B-M6	25	M6	20	12	10	10	7
166221	VC.692/32 B-M5	32	M5	22.5	14	12.5	10	15
166222	VC.692/32 B-M6	32	M6	22.5	14	12.5	10	14
166223	VC.692/32 B-M8	32	M8	22.5	14	12.5	10	13
166341	VC.692/40 B-M6	40	M6	26	15	14	12	25
166342	VC.692/40 B-M8	40	M8	26	15	14	13	23
166471	VC.692/50 B-M8	50	M8	31	18	17	15	44
166472	VC.692/50 B-M10	50	M10	31	18	17	17	40
166551	VC.692/60 B-M10	60	M10	36.5	21	21	20	63
166552	VC.692/60 B-M12	60	M12	36.5	21	21	20	54

VC.692-SST



Code	Description	D	d6H	L	d1	l2	h	⚖️
166116	VC.692/25-SST-M5	25	M5	20	12	10	10	7
166117	VC.692/25-SST-M6	25	M6	20	12	10	10	7
166225	VC.692/32 SST-M5	32	M5	22.5	14	12.5	10	15
166226	VC.692/32-SST-M6	32	M6	22.5	14	12.5	10	15
166345	VC.692/40 SST-M6	40	M6	26	15	14	12	26
166346	VC.692/40-SST-M8	40	M8	26	15	14	13	24
166475	VC.692/50 SST-M8	50	M8	31	18	17	15	45
166476	VC.692/50-SST-M10	50	M10	31	18	17	17	42
166555	VC.692/60 SST-M10	60	M10	36.5	21	21	17	64
166556	VC.692/60-SST-M12	60	M12	36.5	21	21	20	54

Clamping knobs

VC.692-p

Code	Description	D	d _{6g}	L	d1	l	l2	⚖
166131	VC.692/25 p-M4x6	25	M4	20	12	6	10	6
166132	VC.692/25 p-M4x10	25	M4	20	12	10	10	7
166141	VC.692/25 p-M5x10	25	M5	20	12	10	10	8
166142	VC.692/25 p-M5x16	25	M5	20	12	16	10	9
166143	VC.692/25 p-M5x20	25	M5	20	12	20	10	10
166151	VC.692/25 p-M6x10	25	M6	20	12	10	10	10
166152	VC.692/25 p-M6x16	25	M6	20	12	16	10	11
166153	VC.692/25 p-M6x20	25	M6	20	12	20	10	12
166154	VC.692/25 p-M6x25	25	M6	20	12	25	10	13
166155	VC.692/25 p-M6x30	25	M6	20	12	30	10	14
166156	VC.692/25 p-M6x35	25	M6	20	12	35	10	15
166242	VC.692/32 p-M6x16	32	M6	22.5	14	16	12.5	15
166243	VC.692/32 p-M6x20	32	M6	22.5	14	20	12.5	16
166244	VC.692/32 p-M6x25	32	M6	22.5	14	25	12.5	17
166245	VC.692/32 p-M6x30	32	M6	22.5	14	30	12.5	19
166246	VC.692/32 p-M6x35	32	M6	22.5	14	35	12.5	20
166247	VC.692/32 p-M6x40	32	M6	22.5	14	40	12.5	22
166252	VC.692/32 p-M8x16	32	M8	22.5	14	16	12.5	14
166253	VC.692/32 p-M8x20	32	M8	22.5	14	20	12.5	16
166254	VC.692/32 p-M8x25	32	M8	22.5	14	25	12.5	17
166255	VC.692/32 p-M8x30	32	M8	22.5	14	30	12.5	18
166256	VC.692/32 p-M8x35	32	M8	22.5	14	35	12.5	19
166350	VC.692/40 p-M6x10	40	M6	26	15	10	14	14
166351	VC.692/40 p-M6x16	40	M6	26	15	16	14	16
166352	VC.692/40 p-M6x20	40	M6	26	15	20	14	17
166353	VC.692/40 p-M6x25	40	M6	26	15	25	14	18
166354	VC.692/40 p-M6x30	40	M6	26	15	30	14	19
166356	VC.692/40 p-M6x40	40	M6	26	15	40	14	20
166361	VC.692/40 p-M8x16	40	M8	26	15	16	14	23
166362	VC.692/40 p-M8x20	40	M8	26	15	20	14	28
166363	VC.692/40 p-M8x25	40	M8	26	15	25	14	29
166364	VC.692/40 p-M8x30	40	M8	26	15	30	14	32
166365	VC.692/40 p-M8x35	40	M8	26	15	35	14	33
166366	VC.692/40 p-M8x40	40	M8	26	15	40	14	36
166367	VC.692/40 p-M8x50	40	M8	26	15	50	14	38
166368	VC.692/40 p-M8x60	40	M8	26	15	60	14	40
166369	VC.692/40 p-M8x70	40	M8	26	15	70	14	42
166431	VC.692/50 p-M8x16	50	M8	31	18	16	17	33
166432	VC.692/50 p-M8x20	50	M8	31	18	20	17	35
166433	VC.692/50 p-M8x25	50	M8	31	18	25	17	36
166434	VC.692/50 p-M8x30	50	M8	31	18	30	17	38
166436	VC.692/50 p-M8x40	50	M8	31	18	40	17	40
166437	VC.692/50 p-M8x45	50	M8	31	18	45	17	42
166438	VC.692/50 p-M8x50	50	M8	31	18	50	17	44
166439	VC.692/50 p-M8x60	50	M8	31	18	60	17	46
166481	VC.692/50 p-M10x20	50	M10	31	18	20	17	47
166483	VC.692/50 p-M10x30	50	M10	31	18	30	17	57
166485	VC.692/50 p-M10x40	50	M10	31	18	40	17	66
166532	VC.692/60 p-M10x20	60	M10	36.5	21	20	21	55
166533	VC.692/60 p-M10x25	60	M10	36.5	21	25	21	57
166534	VC.692/60 p-M10x30	60	M10	36.5	21	30	21	59
166536	VC.692/60 p-M10x40	60	M10	36.5	21	40	21	62
166538	VC.692/60 p-M10x50	60	M10	36.5	21	50	21	65
166570	VC.692/60 p-M12x25	60	M12	36.5	21	25	21	67
166571	VC.692/60 p-M12x30	60	M12	36.5	21	30	21	69
166573	VC.692/60 p-M12x40	60	M12	36.5	21	40	21	80
166575	VC.692/60 p-M12x50	60	M12	36.5	21	50	21	91
166576	VC.692/60 p-M12x60	60	M12	36.5	21	60	21	93

VC.692-SST-p



Code	Description	D	d _{6g}	L	d1	l	l2	⚖
166157	VC.692/25 SST-p-M4x6	25	M4	20	12	6	10	6
166158	VC.692/25 SST-p-M4x10	25	M4	20	12	10	10	7
166161	VC.692/25-SST-p-M5x10	25	M5	20	12	10	10	8
166162	VC.692/25-SST-p-M5x16	25	M5	20	12	16	10	9
166163	VC.692/25-SST-p-M5x20	25	M5	20	12	20	10	10
166164	VC.692/25-SST-p-M5x25	25	M5	20	12	25	10	11
166171	VC.692/25 SST-p-M6x10	25	M6	20	12	10	10	10
166172	VC.692/25 SST-p-M6x16	25	M6	20	12	16	10	11
166173	VC.692/25 SST-p-M6x20	25	M6	20	12	20	10	12
166175	VC.692/25 SST-p-M6x25	25	M6	20	12	25	10	13
166174	VC.692/25 SST-p-M6x30	25	M6	20	12	30	10	14
166176	VC.692/25 SST-p-M6x35	25	M6	20	12	35	10	15
166261	VC.692/32 SST-p-M6x10	32	M6	22.5	14	10	12.5	17
166262	VC.692/32-SST-p-M6x16	32	M6	22.5	14	16	12.5	15
166263	VC.692/32-SST-p-M6x20	32	M6	22.5	14	20	12.5	16
166264	VC.692/32-SST-p-M6x30	32	M6	22.5	14	30	12.5	19
166266	VC.692/32-SST-p-M6x35	32	M6	22.5	14	35	12.5	20
166272	VC.692/32-SST-p-M8x16	32	M8	22.5	14	16	12.5	19
166273	VC.692/32-SST-p-M8x20	32	M8	22.5	14	20	12.5	20
166274	VC.692/32-SST-p-M8x25	32	M8	22.5	14	25	12.5	21
166275	VC.692/32-SST-p-M8x30	32	M8	22.5	14	30	12.5	22
166277	VC.692/32-SST-p-M8x40	32	M8	22.5	14	40	12.5	23
166370	VC.692/40-SST-p-M6x10	40	M6	26	15	10	14	20
166372	VC.692/40 SST-p-M6x20	40	M6	26	15	20	14	25
166374	VC.692/40 SST-p-M6x30	40	M6	26	15	30	14	27
166376	VC.692/40 SST-p-M6x40	40	M6	26	15	40	14	31
166379	VC.692/40 SST-p-M8x16	40	M6	26	15	16	14	26
166381	VC.692/40-SST-p-M8x20	40	M8	26	15	20	14	28
166382	VC.692/40-SST-p-M8x25	40	M8	26	15	25	14	30
166383	VC.692/40-SST-p-M8x30	40	M8	26	15	30	14	32
166384	VC.692/40-SST-p-M8x35	40	M8	26	15	35	14	34
166385	VC.692/40-SST-p-M8x40	40	M8	26	15	40	14	36
166386	VC.692/40-SST-p-M8x45	40	M8	26	15	45	14	38
166451	VC.692/50-SST-p-M8x16	50	M8	31	18	16	17	38
166452	VC.692/50-SST-p-M8x20	50	M8	31	18	20	17	40
166453	VC.692/50-SST-p-M8x25	50	M8	31	18	25	17	41
166454	VC.692/50-SST-p-M8x30	50	M8	31	18	30	17	42
166455	VC.692/50-SST-p-M8x35	50	M8	31	18	35	17	43
166456	VC.692/50-SST-p-M8x40	50	M8	31	18	40	17	45
166457	VC.692/50-SST-p-M8x50	50	M8	31	18	50	17	46
166491	VC.692/50-SST-p-M10x20	50	M10	31	18	20	17	47
166493	VC.692/50-SST-p-M10x30	50	M10	31	18	30	17	57
166495	VC.692/50-SST-p-M10x40	50	M10	31	18	40	17	67
166496	VC.692/50-SST-p-M10x50	50	M10	31	18	50	17	69
166562	VC.692/60-SST-p-M10x20	60	M10	36.5	21	20	21	70
166564	VC.692/60-SST-p-M10x30	60	M10	36.5	21	30	21	71
166566	VC.692/60-SST-p-M10x40	60	M10	36.5	21	40	21	73
166568	VC.692/60-SST-p-M10x50	60	M10	36.5	21	50	21	75
166591	VC.692/60-SST-p-M12x30	60	M12	36.5	21	30	21	70
166593	VC.692/60-SST-p-M12x40	60	M12	36.5	21	40	21	81
166595	VC.692/60-SST-p-M12x50	60	M12	36.5	21	50	21	92



Clamping knobs