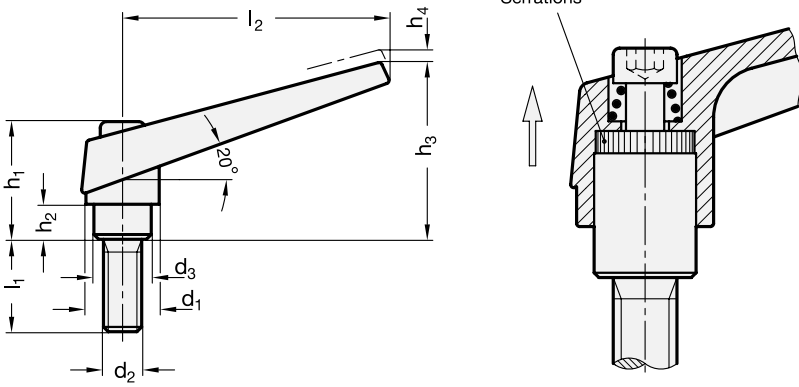




Inch sizes available



1.1
1.2
1.3
1.4
1.5

| 1 | | 2 | | 3 | | | | | | | | | | | | | | | | | |
|----------------|----------------|----------------|----|----------------|----------------|----------------|----------------|----------------|--------|----------------|------|-----|----|-----|-----|--|--|--|--|--|--|
| d ₁ | d ₂ | l ₁ | | d ₃ | h ₁ | h ₂ | h ₃ | h ₄ | Stroke | l ₂ | | | | | | | | | | | |
| 14 | M 5 | M 6 | 12 | 16 | 20 | 25 | 32 | 40 | 50 | 10 | 25 | 4,5 | 35 | 3,5 | 45 | | | | | | |
| 18 | M 6 | M 8 | 16 | 20 | 25 | 32 | 40 | 50 | 63 | 13,5 | 31 | 6,5 | 45 | 4 | 62 | | | | | | |
| 22 | M 10 | - | 20 | 25 | 32 | 40 | 50 | 63 | 80 | 16 | 36 | 8 | 52 | 4 | 74 | | | | | | |
| 25 | M 12 | - | 25 | 32 | 40 | 50 | 63 | 80 | - | 19 | 43 | 11 | 63 | 4 | 89 | | | | | | |
| 30 | M 16 | - | 32 | 40 | 50 | 63 | 80 | - | - | 23 | 50,5 | 12 | 76 | 5 | 108 | | | | | | |

Specification

- Handle
Zinc die casting
- plastic coated
black, RAL 9005, textured finish **SW**
orange, RAL 2004 **OS**
- Threaded stud and retaining screw
Steel (5.8), blackened
- RoHS compliant

On request

- with insert in Stainless Steel

Information

Adjustable hand levers GN 101 are ideal whenever parts have to be clamped in a confined space or in a particular lever position. The centre insert is connected to the lever via serrations which can easily be disengaged.

Pulling the lever disengages serrations and allowing to be swivelled to the ideal clamping position. On releasing the lever the serrations automatically re-engage.

1.6
1.7
1.8
1.9

| | | | |
|----------------------------|--|---|----------------|
| How to order | | 1 | d ₁ |
| | | 2 | d ₂ |
| | | 3 | l ₁ |
| | | 4 | Colour |
| GN 101-22-M10-40-SW | | | |