



- 1
- 2
- 3
- 4
- 5
- 6
- 7
- 8
- 9
- 10
- 11
- 12
- 13
- 14
- 15

PASS-THROUGH HANDLE SHANKS

Glass-fibre reinforced polyamide based (PA) technopolymer, matte finish. To prevent tube rotation, screw up to the stop the self-tapping screw ø3,9x6,5 arranged inside the handle shank.

CLOSING CAPS

Polyamide based (PA) technopolymer, in the colours specified in the standard executions, matte finish.

Included in the supply, push-fit assembly (Fig.1), removable by a screwdriver.

END CAPS

Polyamide based (PA) technopolymer, matte finish.

MOUNTING

Pass-through hole for front or rear mounting by means of cylindrical-head screws with hexagon socket, hexagonal-head screws or standard nuts.

STANDARD EXECUTIONS

- **M.1053-P-EP:** aluminium tube, epoxy resin coating, metallflake graphite colour, matte finish. Highly resistant to wear, scratches and chemical agents. Avoid continuous and prolonged contact with boiling water or steam. Handle shanks and closing caps in RAL 9005 (C9) black colour.
- **M.1053-P-AN-BK:** anodised aluminium tube, natural colour, handle shanks and closing caps in RAL 9005 (C9) black colour.
- **M.1053-P-AN-GR:** anodised aluminium tube, natural colour, handle shanks and closing caps in RAL 7031 (C31) grey colour.
- **M.1053-P-CLEAN:** aluminium tube, coating in white colour similar to RAL 9002, handle shanks and closing caps in white colour similar to RAL 9002 (CLEAN).

TECHNICAL DATA

Tubular handles are characterised by a variable handle shank, the handle shanks being adjustable on the tube by means of the set screw. Tensile stress: F values reported in the table are the result of breaking tests carried out with the appropriate dynamometric equipment under the test conditions shown in the figure with ambient temperature.

SPECIAL EXECUTIONS ON REQUEST

- Different lengths.
- Closing caps in different colours.

ACCESSORIES ON REQUEST

Polyamide based (PA) technopolymer closing caps, in the colours RAL 9005 (C9) black, RAL 7031 (C31) grey, RAL 9002 (CLEAN) white, (see table ECS.T).

Code	Description
29882-C9	ECS.T2-C9
29882-C31	ECS.T2-C31
29882	ECS.T2-CLEAN



ELESA Original design

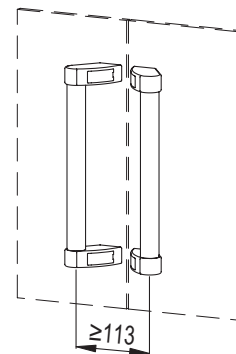
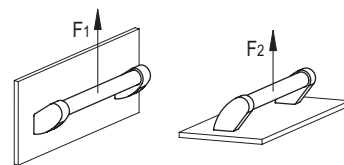
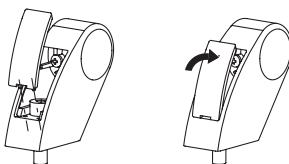
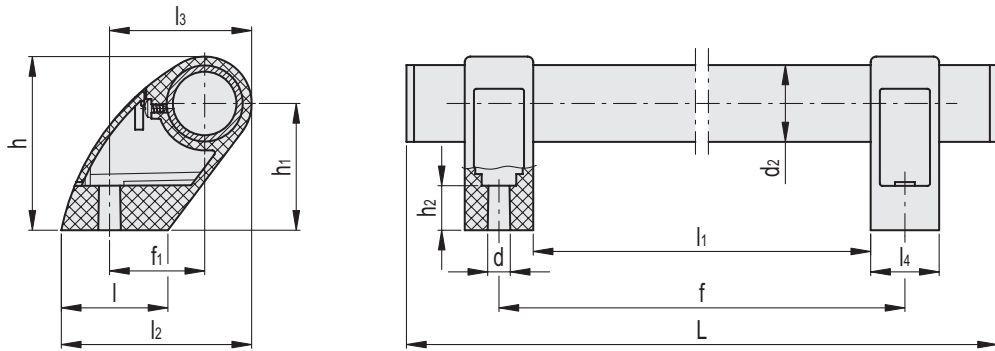


Fig.1





M.1053-P-EP

Code	Description	fmax.±1	f1	L	d	h	h1	h2	l	l1 max.	l2	l3	l4	d2	F1 [N]*	F1 [N]#	F2 [N]*	F2 [N]#	⚖
36901	M.1053 P/30-295-EP	295	37.5	324	8.5	68.5	50	17.5	42	268	75	56	27	30	1850	3400	2500	4000	231
36911	M.1053 P/30-345-EP	345	37.5	374	8.5	68.5	50	17.5	42	318	75	56	27	30	1650	3150	2000	3300	249
36921	M.1053 P/30-395-EP	395	37.5	424	8.5	68.5	50	17.5	42	368	75	56	27	30	1450	2600	1900	3000	266
36931	M.1053 P/30-495-EP	495	37.5	524	8.5	68.5	50	17.5	42	468	75	56	27	30	1300	2000	1500	1900	301
36941	M.1053 P/30-595-EP	595	37.5	624	8.5	68.5	50	17.5	42	568	75	56	27	30	1100	1900	1200	1800	336
36951	M.1053 P/30-695-EP	695	37.5	724	8.5	68.5	50	17.5	42	668	75	56	27	30	1000	1600	1100	1500	371

M.1053-P-AN-BK

Code	Description	fmax.±1	f1	L	d	h	h1	h2	l	l1 max.	l2	l3	l4	d2	F1 [N]*	F1 [N]#	F2 [N]*	F2 [N]#	⚖
36903	M.1053 P/30-295-AN-BK	295	37.5	324	8.5	68.5	50	17.5	42	268	75	56	27	30	1850	3400	2500	4000	231
36913	M.1053 P/30-345-AN-BK	345	37.5	374	8.5	68.5	50	17.5	42	318	75	56	27	30	1650	3150	2000	3300	249
36923	M.1053 P/30-395-AN-BK	395	37.5	424	8.5	68.5	50	17.5	42	368	75	56	27	30	1450	2600	1900	3000	266
36933	M.1053 P/30-495-AN-BK	495	37.5	524	8.5	68.5	50	17.5	42	468	75	56	27	30	1300	2000	1500	1900	301
36943	M.1053 P/30-595-AN-BK	595	37.5	624	8.5	68.5	50	17.5	42	568	75	56	27	30	1100	1900	1200	1800	336
36953	M.1053 P/30-695-AN-BK	695	37.5	724	8.5	68.5	50	17.5	42	668	75	56	27	30	1000	1600	1100	1500	371

M.1053-P-AN-GR

Code	Description	fmax.±1	f1	L	d	h	h1	h2	l	l1 max.	l2	l3	l4	d2	F1 [N]*	F1 [N]#	F2 [N]*	F2 [N]#	⚖
36905	M.1053 P/30-295-AN-GR	295	37.5	324	8.5	68.5	50	17.5	42	268	75	56	27	30	1850	3400	2500	4000	231
36915	M.1053 P/30-345-AN-GR	345	37.5	374	8.5	68.5	50	17.5	42	318	75	56	27	30	1650	3150	2000	3300	249
36925	M.1053 P/30-395-AN-GR	395	37.5	424	8.5	68.5	50	17.5	42	368	75	56	27	30	1450	2600	1900	3000	266
36935	M.1053 P/30-495-AN-GR	495	37.5	524	8.5	68.5	50	17.5	42	468	75	56	27	30	1300	2000	1500	1900	301
36945	M.1053 P/30-595-AN-GR	595	37.5	624	8.5	68.5	50	17.5	42	568	75	56	27	30	1100	1900	1200	1800	336
36955	M.1053 P/30-695-AN-GR	695	37.5	724	8.5	68.5	50	17.5	42	668	75	56	27	30	1000	1600	1100	1500	371

M.1053-P-CLEAN

Code	Description	fmax.±1	f1	L	d	h	h1	h2	l	l1 max.	l2	l3	l4	d2	F1 [N]*	F1 [N]#	F2 [N]*	F2 [N]#	⚖
151481	M.1053 P/30-295-CLEAN	295	37.5	324	8.5	68.5	50	17.5	42	268	75	56	27	30	1850	3400	2500	4000	231
151483	M.1053 P/30-345-CLEAN	345	37.5	374	8.5	68.5	50	17.5	42	318	75	56	27	30	1650	3150	2000	3300	249
151485	M.1053 P/30-395-CLEAN	395	37.5	424	8.5	68.5	50	17.5	42	368	75	56	27	30	1450	2600	1900	3000	266
151487	M.1053 P/30-495-CLEAN	495	37.5	524	8.5	68.5	50	17.5	42	468	75	56	27	30	1300	2000	1500	1900	301
151489	M.1053 P/30-595-CLEAN	595	37.5	624	8.5	68.5	50	17.5	42	568	75	56	27	30	1100	1900	1200	1800	336
151491	M.1053 P/30-695-CLEAN	695	37.5	724	8.5	68.5	50	17.5	42	668	75	56	27	30	1000	1600	1100	1500	371

* Maximum working load # Load at breakage.

