

- 1
- 2
- 3
- 4
- 5
- 6
- 7
- 8
- 9
- 10
- 11
- 12
- 13
- 14
- 15
- RH

**HANDLE SHANKS**

Glass-fibre reinforced polyamide based (PA) technopolymer, matte finish.

**SIDE CAPS**

Technopolymer in Ergostyle colours and white similar to RAL 9002 (CLEAN), glossy finish. Supplied with the handle, press-fit assembly, removable by a screwdriver.

Available also as accessories sold separately (see table ECA.).

Code	Description	Cover for
29871-*	ECA.T1-*	ETH.28
29872-*	ECA.T2-*	ETH.35
29871	ECA.T 1-CLEAN	ETH.28-CLEAN
29872	ECA.T 2-CLEAN	ETH.35-CLEAN

\* Complete with colour index (C1, ..., C6).

**ANTI-ROTATION TUBE ASSEMBLING SYSTEM.**

Special expansion-assembly system between the tube and the handle shanks to prevent rotation during operation.

**STANDARD EXECUTIONS**

Pass-through holes for cylindrical-head screws with hexagon socket, hexagonal-head screws or standard lock nuts.

- **ETH-EP:** aluminium tube, epoxy resin coating, metalflake graphite colour, matte finish. Highly resistant to wear, scratches and chemical agents. Avoid continuous and prolonged contact with boiling water or steam. Side shanks in grey-black colour.
- **ETH-AN:** anodised aluminium tube, natural colour. Side shanks in grey-black colour.
- **ETH-CLEAN:** aluminium tube, coating in white colour similar to RAL 9002, glossy finish. Side shanks in white colour similar to RAL 9002.

Suggested tightening torque:

- back mounting with plain holes: 8 [Nm]
- front mounting with plain or tapped holes: 15 [Nm].

**ERGONOMY AND DESIGN**

The large diameter of the tube offers a good and comfortable grip; the antirotation assembly system of the handle shanks to the tube has been developed to offer a firm and secure manoeuvrability during operations.

**TECHNICAL DATA**

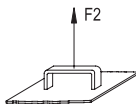
Tensile stress: F2 values reported in the table are the result of breaking tests carried out with the appropriate dynamometric equipment under the test conditions shown in the figure with ambient temperature.

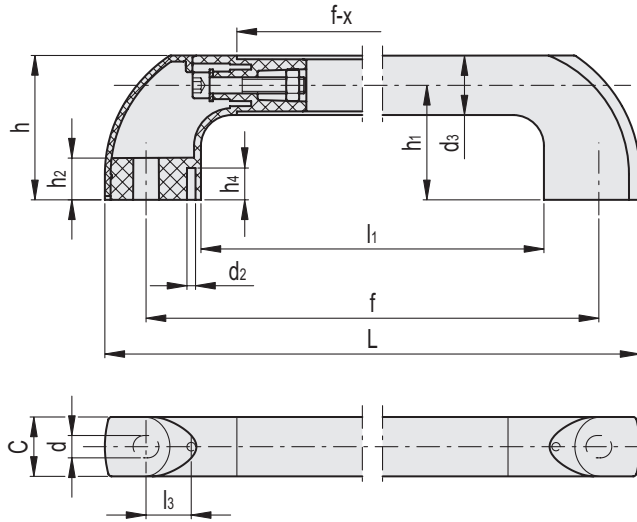
**SPECIAL EXECUTIONS ON REQUEST**

Different lengths.



ERGOSTYLE® ELESA Original design red dot design award





\* Complete with colour index, example: 262151-C5 ETH.28-300-EP-C5

**C1** RAL7021   **C2** RAL2004   **C3** RAL7035   **C4** RAL1021   **C5** RAL5024   **C6** RAL3000

**ETH-EP**

Code	Description	f±1	L	d	h	h1	h2	h4	l1	l3	d2	d3	C	x	F2 [N]*	F2 [N]#	⚖️
262151-*	ETH.28-300-EP-*	300	339	8.5	68	54	20	15	248	20.3	4	28	28	86	2400	2800	235
262155-*	ETH.28-400-EP-*	400	439	8.5	68	54	20	15	348	20.3	4	28	28	86	2000	2300	268
262161-*	ETH.28-500-EP-*	500	539	8.5	68	54	20	15	448	20.3	4	28	28	86	1800	2000	301
262165-*	ETH.28-600-EP-*	600	639	8.5	68	54	20	15	548	20.3	4	28	28	86	1200	1500	335
262171-*	ETH.28-700-EP-*	700	739	8.5	68	54	20	15	648	20.3	4	28	28	86	900	1200	368
262211-*	ETH.35-300-EP-*	300	357	10.5	85.5	67	28	15	251	18.5	4	35	35	91	3000	3100	397
262215-*	ETH.35-400-EP-*	400	457	10.5	85.5	67	28	15	351	18.5	4	35	35	91	2700	2800	456
262221-*	ETH.35-500-EP-*	500	557	10.5	85.5	67	28	15	451	18.5	4	35	35	91	2500	2600	515
262225-*	ETH.35-600-EP-*	600	657	10.5	85.5	67	28	15	551	18.5	4	35	35	91	1900	2100	574
262231-*	ETH.35-700-EP-*	700	757	10.5	85.5	67	28	15	651	18.5	4	35	35	91	1900	2100	633
262246-*	ETH.35-1000-EP-*	1000	1057	10.5	85.5	67	28	15	951	18.5	4	35	35	91	1200	1400	810

**ETH-AN**

262153-*	ETH.28-300-AN-*	300	339	8.5	68	54	20	15	248	20.3	4	28	28	86	2400	2800	235
262157-*	ETH.28-400-AN-*	400	439	8.5	68	54	20	15	348	20.3	4	28	28	86	2000	2300	268
262163-*	ETH.28-500-AN-*	500	539	8.5	68	54	20	15	448	20.3	4	28	28	86	1800	2000	301
262167-*	ETH.28-600-AN-*	600	639	8.5	68	54	20	15	548	20.3	4	28	28	86	1200	1500	335
262173-*	ETH.28-700-AN-*	700	739	8.5	68	54	20	15	648	20.3	4	28	28	86	900	1200	368
262213-*	ETH.35-300-AN-*	300	357	10.5	85.5	67	28	15	251	18.5	4	35	35	91	3000	3100	397
262217-*	ETH.35-400-AN-*	400	457	10.5	85.5	67	28	15	351	18.5	4	35	35	91	2700	2800	456
262223-*	ETH.35-500-AN-*	500	557	10.5	85.5	67	28	15	451	18.5	4	35	35	91	2500	2600	515
262227-*	ETH.35-600-AN-*	600	657	10.5	85.5	67	28	15	551	18.5	4	35	35	91	1900	2100	574
262233-*	ETH.35-700-AN-*	700	757	10.5	85.5	67	28	15	651	18.5	4	35	35	91	1900	2100	633
262248-*	ETH.35-1000-AN-*	1000	1057	10.5	85.5	67	28	15	951	18.5	4	35	35	91	1200	1400	810

**ETH-CLEAN**

150911	ETH.28-300-CLEAN	300	339	8.5	68	54	20	15	248	20.3	4	28	28	86	2400	2800	235
150913	ETH.28-400-CLEAN	400	439	8.5	68	54	20	15	348	20.3	4	28	28	86	2000	2300	268
150915	ETH.28-500-CLEAN	500	539	8.5	68	54	20	15	448	20.3	4	28	28	86	1800	2000	301
150917	ETH.28-600-CLEAN	600	639	8.5	68	54	20	15	548	20.3	4	28	28	86	1200	1500	335
150919	ETH.28-700-CLEAN	700	739	8.5	68	54	20	15	648	20.3	4	28	28	86	900	1200	368
150931	ETH.35-300-CLEAN	300	357	10.5	85.5	67	28	15	251	18.5	4	35	35	91	3000	3100	397
150933	ETH.35-400-CLEAN	400	457	10.5	85.5	67	28	15	351	18.5	4	35	35	91	2700	2800	456
150935	ETH.35-500-CLEAN	500	557	10.5	85.5	67	28	15	451	18.5	4	35	35	91	2500	2600	515
150937	ETH.35-600-CLEAN	600	657	10.5	85.5	67	28	15	551	18.5	4	35	35	91	1900	2100	574
150939	ETH.35-700-CLEAN	700	757	10.5	85.5	67	28	15	651	18.5	4	35	35	91	1900	2100	633
150941	ETH.35-1000-CLEAN	1000	1057	10.5	85.5	67	28	15	951	18.5	4	35	35	91	1200	1400	810

\* Maximum working load

# Load at breakage

