

Side handles with protection



Material

Glass-fibre reinforced polyamide based (PA) technopolymer, black colour, matte finish.

Standard executions

- **MLP-B**: brass bosses, threaded blind holes. Fitting by means of no. 2 screws M4, not included in the supply.
- **MLP-AF**: blind holes for fitting by means of no. 2 self-tapping screws for plastic materials Ø5 (UNI ISO 7049), not included in the supply.

Technical data

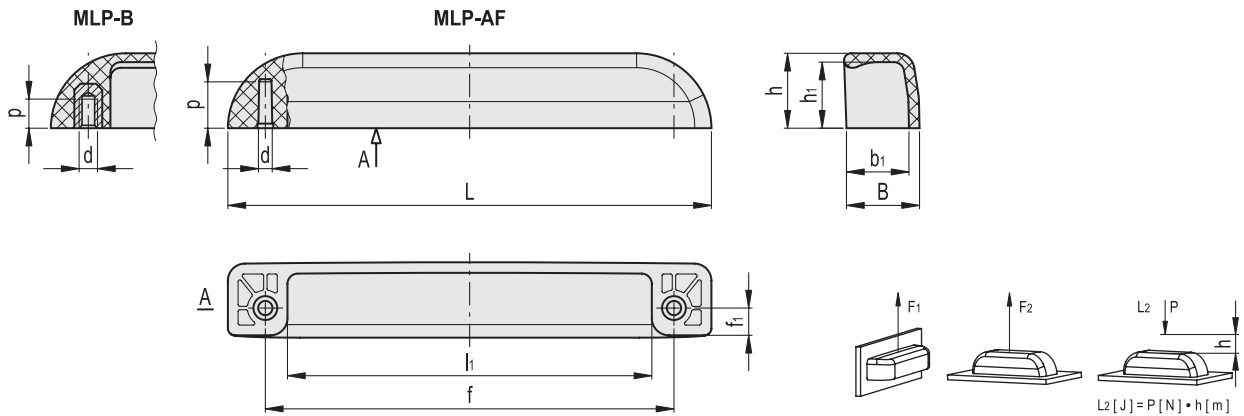
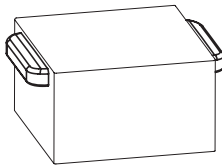
Tensile stress and impact strength: F1, F2 and L2 values reported in the table are the result of breaking tests, carried out with the appropriate dynamometric equipment, under the test conditions shown in the figure with ambient temperature.

Features and applications

Ergonomic and comfortable handles. If used in pairs they allow an easy lifting.



Application example



Code	Description	L	f	d	f ₁	h	h ₁	B	b ₁	l ₁	p	F1 [N]	F2 [N]	L2 [J]	⚖️
43951	MLP.142-B M4	142	120	M4	8	22	19.5	21	18	107	10	3500	2800	3	36
43955	MLP.142-AF 4,8	142	120	4.5	8	22	19.5	21	18	107	13	3000	2800	3	31