

MPR | Folding handles with recessed tray

with return spring, technopolymer



MATERIAL

Glass-fibre reinforced polyamide based (PA) technopolymer.

STANDARD EXECUTIONS

Pass-through holes for M4 countersunk-head screws (not supplied).

- **MPR:** RAL 9005 black colour or RAL 7040 (C33) grey colour, matte finish.
- **MPR-CLEAN:** white colour similar to RAL 9002, matte finish.

ROTATION PIN AND RETURN SPRINGS

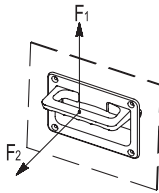
AISI 303 stainless steel pin, AISI 302 stainless steel springs.

TECHNICAL DATA

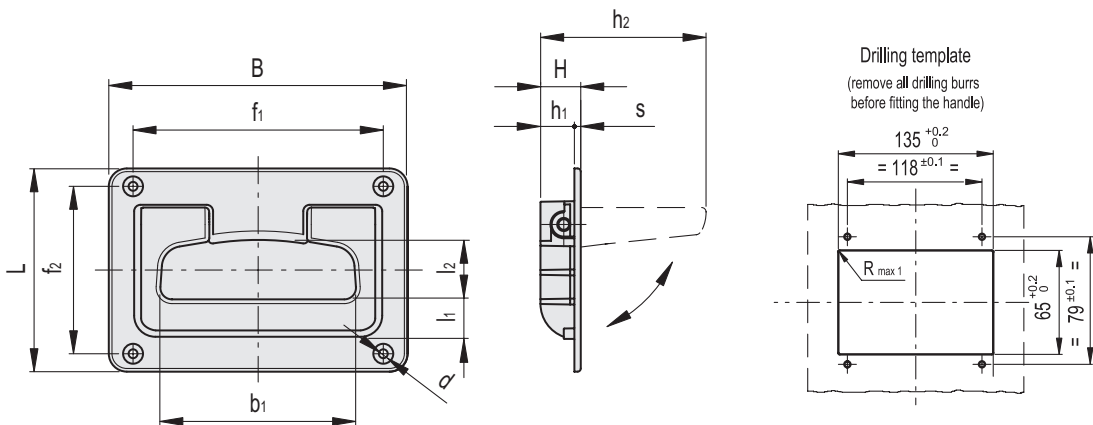
The lifting resistance (F1) and tensile strength (F2) values reported in the table are the result of permanent deformation by means of the appropriate dynamometric equipment under the test conditions shown in the figure with ambient temperature.

ASSEMBLY INSTRUCTIONS

Drill the handle housing according to the template dimensions.



ELESA Original design



Code	Description	B	f1	f2	L	H	h1	h2	b1	l1	l2	s	d	F1 [N]	F2 [N]	⚖️
43851	MPR.141	141	118	79	96	19	16	63	90	16.5	29	3	4.2	1650	2400	146
43851-C33	MPR.141-C33	141	118	79	96	19	16	63	90	16.5	29	3	4.2	1650	2400	146
151061	MPR.141-CLEAN	141	118	79	96	19	16	63	90	16.5	29	3	4.2	1650	2400	146

