

- 5 Identification No.**
- 1 without adjustable hand lever
 - 2 with adjustable hand lever (only from b=50)

- 1 2 3**

b	Length I ₁ - Stroke I ₂		d ₁				d ₂	d ₃	d ₄	d ₅	h ₁	h ₂	h ₃	h ₄
	I ₁ - I ₂	I ₁ - I ₂	I ₁ - I ₂	I ₁ - I ₂	I ₁ - I ₂	I ₁ - I ₂								
30	50-5	55-10	60-15	65-20	M 4 x 0,5	M 3	14	-	-	9,3	16	17	4	
50	95-25	120-50	145-75	170-100	M 6 x 1	M 4	17	50	22	13	22,5	23	7	
80	145-25	170-50	195-75	220-100	M 8 x 1	M 5	22	80	22	20,5	35,5	36	10	
120	185-25	210-50	235-75	260-100	M 10 x 1	M 5	34	100	34	26,3	45	46	13,8	

b	h ₅	h ₆	h ₇	h ₈	l ₃	l ₄	l ₅	l ₆	l ₇	l ₈	l ₉	l ₁₀	l ₁₁	l ₁₂	s	t
30	3	33	-	-	45	4	6	20	-	-	-	-	-	-	16	1
50	4,5	47	29	18	70	6	12	20	22	52	24	33	57	36	30	1,5
80	10	51	37	10	120	8	16	24	31	55	27	33	66	25	50	2
120	10	57	45	5	160	10	18	34	40	69	41	33	75	25	80	2

Specification

- Slides / end plates
Aluminium press formed
anodized extrusion, natural colour
- Guide shafts
Stainless Steel
- Drive
 - Lead spindle / ball bearing
Stainless Steel
 - Lead nut
Plastic
- Fixing screws
Stainless Steel
- Control knob / Scale ring
Aluminium, black anodized
- Disc handwheels GN 520 → Page 162
- Position indicator GN 954 → Page 390
- RoHS compliant

Information

Adjustable slide units GN 900 can be combined with a range of adaptors to give various axis configurations.

These fastening units and connecting sets (GN 900.1, GN 900.2, GN 900.3) can be clamped to the adjustable slide units in a rapid and simple way.

For fine adjustment there is a scale ring graduated in increments of 0,05 mm, with digital position indicator 0,02 mm.

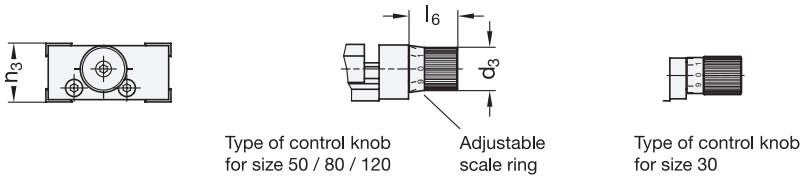
Furthermore this adjustable slide units (Type D, with control knob) is rust proof.

see also...

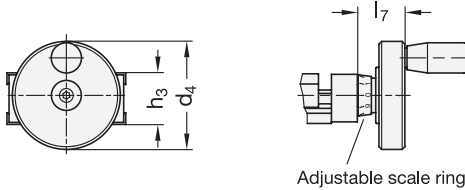
- Additional constructional features → Page 362

<p>How to order</p> <p>GN 900-80-170-50-D-1</p>	1	b
	2	l₁
	3	l₂
	4	Type
	5	Identification No.

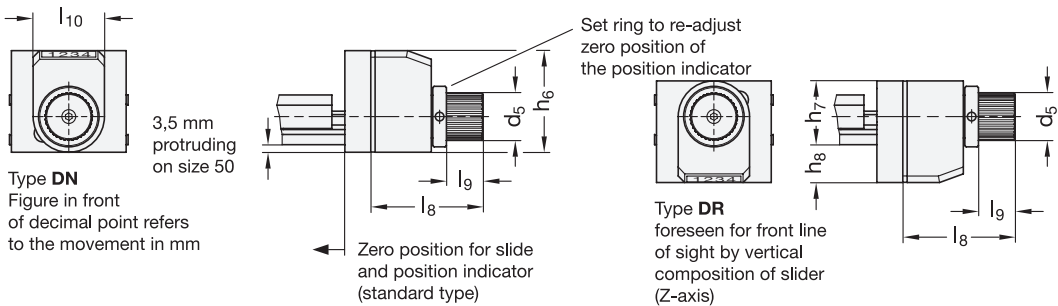
4 Type **D** with control knob



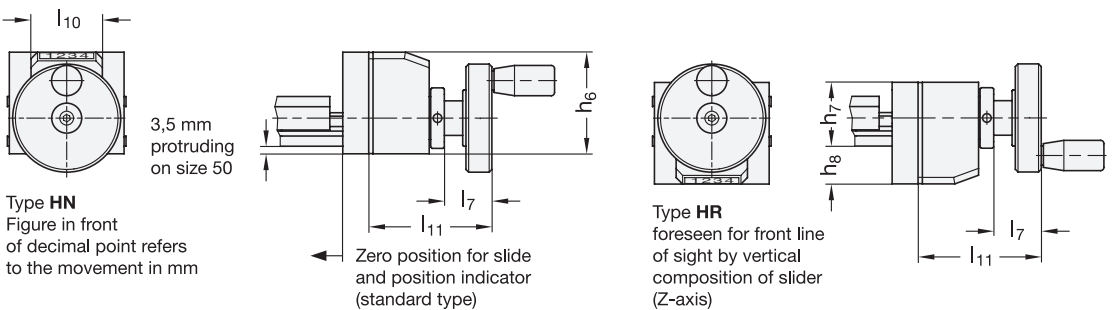
4 Type **H** with handwheel (from size 50 upwards)



4 Type **DN** / Type **DR** with control knob and digital position indicator GN 954 (from size 50 upwards)



4 Type **HN** / Type **HR** with handwheel and digital position indicator GN 954 (from size 50 upwards)



4 Type **S** without adjustable spindle and operating element (i. e. for mounting a pneumatic cylinder)



1.1
1.2
1.3
1.4
1.5
1.6
1.7
1.8
1.9