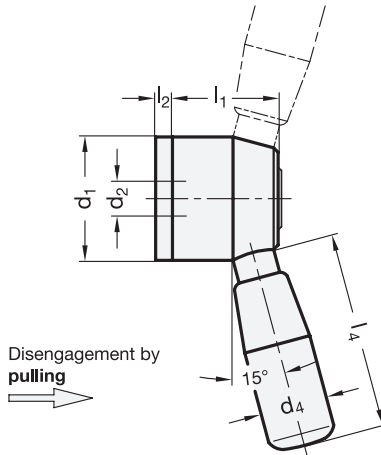


Reference line for type AS



3 Type

- A** Control knob, blackened, without scale
- AS** Control knob, matt chrome plated, with scale 0...50 60 graduations
- B** with 1 tension lever
- C** with 2 tension levers

1 $d_1 -0,5$	2 d_2 H7 Bore with keyway		d_3	d_4	d_5	d_6 P.C.D. Ø	l_1	l_2	l_3	l_4	w Stroke	
44	K 10	K 12	-	33	23	23	33	37	6	31	75	4
52	K 12	K 14	K 16	42	26	31,5	41,8	37,5	6	31,5	90	4

Specification

- Steel blackened
- Type AS:
Control knob matt chrome plated
 - Scale engraved with laser precision black
 - Reference line on location ring
- Keyway P9 DIN 6885/1 for bore K 10 → Page 1124
Keyway P9 DIN 6885/2 for bores > K 10 → Page 1125
- Fixed cylindrical handles GN 539
Plastic, Technopolymer black, shiny finish
- ISO-Fundamental Tolerances → Page 1132
- RoHS compliant

On request

- Special graduations see „How to order Graduations“ → Page 337

Information

Indexing mechanisms GN 200 replace and simplify complicated indexing and safety mechanisms.

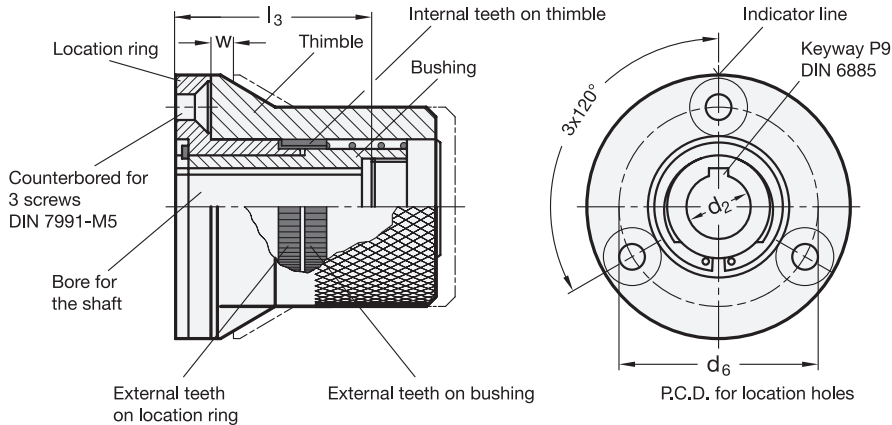
Besides the standard scale (Type AS) the control knob version may be supplied with any scale. In such cases, it is recommended to use the matt chrome plated version since the colour contrast is better.

Regarding design, numbering run, numbering position and numbering sequence of the scale please see the layout for scale rings on the order sheet „How to order Graduations“ → Page 337

see also...

- *Stainless Steel-Indexing mechanisms GN 200* → Page 356
- *Indexing levers GN 215* → Page 360
- *Adjustable knobs GN 700 (with stepless positioning)* → Page 358

How to order GN 200-44-K12-A	1 d_1
	2 d_2
	3 Type



Applications

With these indexing mechanisms, shaft and lead screws can be turned and positioned in steps of 6° or multiples of it.

Description

The indexing mechanism is a self-contained unit, all the adjusting and securing components are housed in the smallest possible space. The unit consists of three main parts:

- Bushing – can be connected to the shaft with a key or crossdowel.
- Location ring – is screwed and doweled to the machine or equipment. The bushing is also a bearing for the location ring.
- Knurled housing – providing engagement between the locating ring and the shaft which can be turned or positioned.

In the locked position, the knurled housing via the internal teeth (60) connects the locating ring and the bush (both via external teeth), the latter being connected to the shaft. To turn the shaft, the knurled housing is pulled out against the spring pressure, disengaging from the location ring, but still engaged with the bush.

More information

With 60 teeth, the following divisions can be achieved: 2, 3, 4, 5, 6, 10, 20, 30.

A simple method provides indexing of the shaft to limited number of positions only, i.e. every 120° .

For this purpose, the location ring is manufactured with a dowel which allows engagement only when the bushing is provided with a corresponding hole (see assembly examples).

This hole can be manufactured oversize as the dowel is for rough positioning only. Accurate positioning is maintained via the teeth.

Knurled housing and tension levers can be supplied with scales and symbols.

With teeth, a more accurate and wear-resistant indexing mechanism is obtained than with single dowel locations.

When a very high torque is to be transmitted, engaging and disengaging of the teeth is made difficult due to the small clearance, i.e. the friction between them. In such cases, indexing levers GN 215 are recommended.