

**CASE**

Glass-fibre reinforced polyamide based (PA) technopolymer, black colour, matte finish.  
Moulded-in spindle.

**BEZEL**

Technopolymer. Moulded over the window.

**WINDOW**

Transparent polyamide based (PA-T) technopolymer (practically unbreakable).

Resistant to solvents, oils, greases and other chemical agents (avoid contact with alcohol during cleaning operations).

**DIAL**

Natural matte anodised aluminium.  
Clockwise or anti-clockwise graduation, black colour.

**READING**

The black pointer indicates the number of turns of the spindle from the start position (0); the red pointer indicates the fractions of turn.  
Ballrace rotation: maximum reading accuracy.

**RATIO**

To choose the ratio see "Gravity position indicators introduction" (on page 460).

**IP PROTECTION**

The ultrasonic welding of the window to the case guarantees the complete sealing with IP 67 protection class, see IEC 529 (on page A-19).

**FEATURES AND APPLICATIONS**

The knobs with integral gravity position indicator are suitable on spindles with horizontal or max 60° inclined axis.

To choose the handwheel see the table "Handwheels/knobs - possible assembly with indicators" (on page 461).

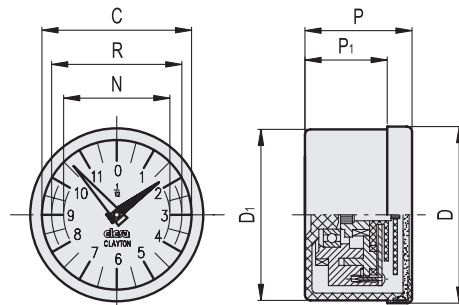
**SPECIAL EXECUTIONS ON REQUEST**

- Special dial with logo or customised graduations
- Special ratios
- Liquid filled
- Single pointer



ELESA Original design

Serie	D	P	D1	P1	C	R	N	⚖️
GA11	49.8	30	48.2	23	42	37	30	75
GA12	68.5	32	67.0	25	60	51	44	125



Example of description for ordering



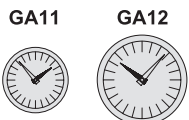
Series

Ratio

Graduation

Increasing graduation

clockwise D anti-clockwise S



Ratio	Description	Ratio	Description	Ratio	Description	Ratio	Description
2	0002	12	0012	36	0036	100	0100
4	0004	15	0015	40	0040	120	0120
5	0005	16	0016	48	0048	150 *	0150
6	0006	20	0020	50	0050	200 *	0200
8	0008	24	0024	60	0060		
10	0010	30	0030	72	0072		

\* Available only for GA12



Position indicators