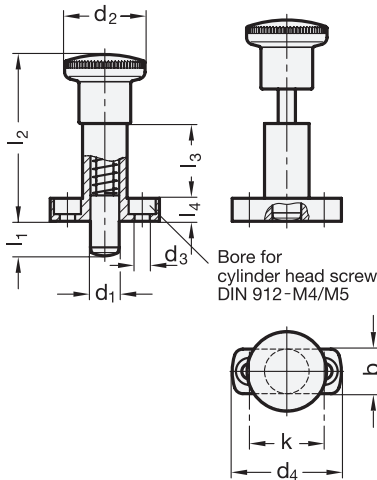


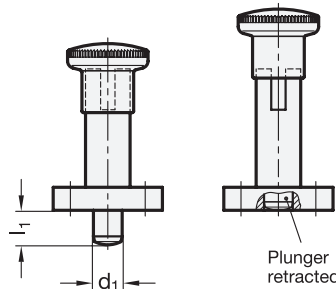
Type B



Bore for
cylinder head screw
DIN 912-M4/M5

Type C

(Knob rotated by 90°)



Plunger
retracted



3 Type

- B** without rest position
C with rest position

1

2

d ₁ Pin <small>-0.02 -0.04 +0.10 +0.03</small>	l ₁	b	d ₂	d ₃	d ₄	k	l ₂	l ₃	l ₄	Spring load in N≈	
										initial	end
6	6	13	23	4,3	34	22	48	22	6	6,5	19
6	9	13	23	4,3	34	22	48	22	6	6	25
8	8	16	28	5,3	38	26	58	26	8	8,5	26
8	12	16	28	5,3	38	26	58	26	8	8,5	28
10	12	16	28	5,3	38	26	58	26	8	9,5	38

Specification

- Guide
Zinc die casting
plastic coated
black, matt, textured finish
- Pin
Stainless Steel
- AISI 303
- chemically nickel plated
- Knob Plastic
Technopolymer (Polyamide PA)
- black, matt
- red RT RAL 3000
add RT on order code
- not removable
- *Plastic characteristics* → Page 331
- *Stainless Steel characteristics* → Page 334
- **RoHS compliant**

On request

- Indexing plungers with T-Handle

Information

Indexing plungers GN 817.1 (Type C) are used for such applications where the plunger has to stay in its retracted position. To achieve this, the knob is rotated by 90° degrees after being retracted. A notch keeps the plunger in this position.

see also...

- *Positioning bushings GN 412.2* → Main Catalogue Page 454
- *Positioning bushings with ramping cone GN 412.3*
→ Main Catalogue Page 455
- *Indexing plungers GN 608* → Main Catalogue Page 432
- *Indexing plungers GN 608.1* → Main Catalogue Page 433
- *Mini indexing plungers GN 822.8* → Page 436

How to order

GN817.1-8-12-B

1	d ₁
2	l ₁
3	Type