

3 Type
A without lock nut
AK with lock nut

1 2

d ₁	d ₂	d ₃	h ₁		h ₂	h ₃ Adjustable range		for screw	Static load F in kN Steel		Stainless Steel		Code no. for C-Spanner
			Type A	Type AK		Type A	Type AK		F ₁	F ₂	F ₁	F ₂	
25	5,5	M 15 x 1	28	33	43	15	10	M 5	40	33,4	27,1	20,2	DIN 1810-A25-28
25	6,6	M 15 x 1	28	33	43	15	10	M 6	40	30,7	27,1	20,2	DIN 1810-A25-28
32	6,6	M 20 x 1	35	41	55	20	14	M 6	65	55,7	43,4	36,5	DIN 1810-A30-32
32	9	M 20 x 1	35	41	55	20	14	M 8	65	48	43,4	30,8	DIN 1810-A30-32
32	11	M 20 x 1	35	41	55	20	14	M 10	65	37,9	43,4	23,4	DIN 1810-A30-32
45	11	M 30 x 1,5	42	49	67	25	18	M 10	120	92,9	84	64	DIN 1810-A45-50
45	13,5	M 30 x 1,5	42	49	67	25	18	M 12	120	80,4	84	54,8	DIN 1810-A45-50
45	17,5	M 30 x 1,5	42	49	67	25	18	M 16	120	45,5	84	28,9	DIN 1810-A45-50
58	17,5	M 40 x 1,5	54	63	86	32	23	M 16	210	136	148	92,9	DIN 1810-A58-62
58	22	M 40 x 1,5	54	63	86	32	23	M 20	210	90	148	59	DIN 1810-A58-62
58	26	M 40 x 1,5	54	63	86	32	23	M 24	210	37	148	20,3	DIN 1810-A58-62
70	22	M 50 x 1,5	66	77	106	40	29	M 20	330	210	225	136	DIN 1810-A68-75
70	26	M 50 x 1,5	66	77	106	40	29	M 24	330	157	225	97,3	DIN 1810-A68-75
70	33	M 50 x 1,5	66	77	106	40	29	M 30	330	53	225	20,6	DIN 1810-A68-75
80	26	M 60 x 2	76	87	126	50	39	M 24	495	322	323	195,3	DIN 1810-A80-90
80	33	M 60 x 2	76	87	126	50	39	M 30	495	218	323	118,6	DIN 1810-A80-90
80	39	M 60 x 2	76	87	126	50	39	M 36	495	101	323	38,2	DIN 1810-A80-90

Specification

- Steel, 1.7225 (42 CrMo 4 V) zinc plated, blue passivated
- Stainless Steel AISI 303 (X 10 CrNiS 18-9)
- F₁: max. total load
- F₂: max. load after deduction of the max. preload
 - for screws 8.8, μ = 0,125 (Steel-version)
 - for screws 6.8, μ = 0,14 (Stainless Steel-version)

• RoHS compliant

Accessory

- C-Spanner DIN 1810 (code no. see table)

4

Information

Levelling sets GN 350 are used for levelling and linking operations. They comprise a threaded upper sleeve and a female threaded lower sleeve. The fine thread allows a stepless and precise setting and locking using the C-Spanner DIN 1810. A locking ring serves also as a height limiter for the max. height.

Normally this screw is permanently and securely locked by the static load created when the mounting screw is tightened.

Should this not be sufficient, the use of a locknut (Type AK) is recommended.

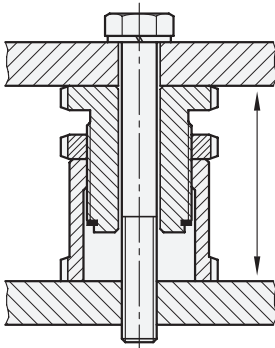
How to order

1	d ₁
2	d ₂
3	Type
4	Material

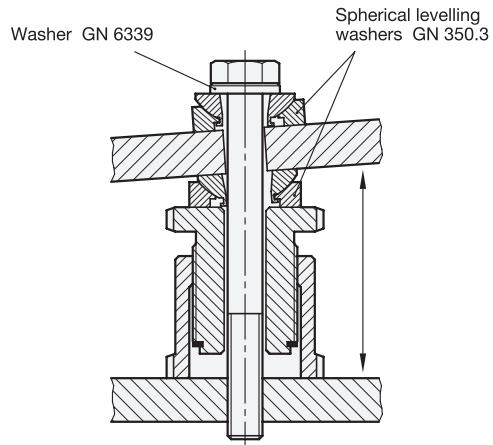
GN 350-45-13,5-AK-ST



Type **AK** (with lock nut)



Type **A** (without lock nut)
with 2 spherical levelling washers



2.1

2.2

2.3

2.4

2.5

2.6

2.7

2.8

2.9

