

BRACKET

Glass-fibre reinforced polyamide based (PA) technopolymer, black colour, matte finish.

BUSHINGS AND WASHERS

AISI 304 stainless steel.

BEARING

High quality with traceability codes. Chrome steel.

LUBRICATOR

Nickel-plated brass.

PACKING RINGS

NBR rubber.

COVER

Glass-fibre reinforced polypropylene based (PP) technopolymer, RAL 7015 grey colour, matte finish.

Closed cap for head bracket or for pass-through shafts.

STANDARD EXECUTIONS

- **UCFB-T**: head bracket with closed cover.
- **UCFB-P**: bracket for pass-through shaft with drilled cover and NBR rubber packing ring for rotating shafts.

FEATURES AND APPLICATIONS

Overall dimensions are in compliance with ISO 3228. A system of completely sealed packing rings assures the protection of the bearing from dirt ingress. Max shaft misalignment = 2,5°.

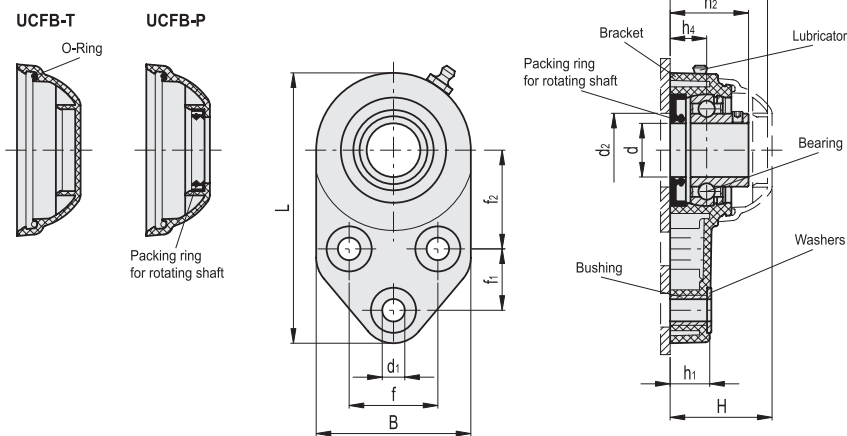
INSTRUCTIONS OF USE

Assembly with shafts without end stops. For optimum operation, we recommend periodic lubrication with a common grease resistant to high temperatures and oxidation.

SPECIAL EXECUTIONS ON REQUEST

- AISI 440C stainless steel bearing.
- Bearing in inch sizes.
- Brackets for shafts with diameters in different sizes.
- Brackets in antibacterial material or in polypropylene based (PP) technopolymer, packing rings and oil seal type VITON®*.

* Registered trademark by DuPont Dow Elastomers.



Code	Description	d	d1	d2 min	d2 max	H	L	B	f	f1	f2	h1	h2	h3	h4	Bearing static load [N]	Bearing dynamic load [N]	Bracket load [N]	⚖️
419554	UCFB.205-D-25-T	25	10.5	45	50	49.5	126	72	41.3	28.6	46	19	36.5	47	17	7000	14000	9000	353
419564	UCFB.206-D-30-T	30	10.5	50	60	55.7	142	85	47.6	32	52.4	26.3	41.7	53.2	20.7	11000	19000	11000	469
419534	UCFB.205-D-25-P	25	10.5	45	50	49.5	126	72	41.3	28.6	46	19	36.5	-	17	7000	14000	9000	359
419544	UCFB.206-D-30-P	30	10.5	50	60	55.7	142	85	47.6	32	52.4	26.3	41.7	-	20.7	11000	19000	11000	476

