

Rost frei
Inox
Stainless
Steel

- 3 Type**
- A** Connector plug at the top
 - B** Connector plug from the bottom
 - C** Connector plug at the back (with 0,2 m cable)
 - CK** Cable from the back

1	2	3	4	5	6	h ₁	h ₂	m ₁	m ₂	m ₃	m ₄
l ₁	l ₂	l ₃	l ₄	l ₅	l ₆ Cable length in metre Type CK						
76	126	40	99,4	22	2 5	15,5	31,5	88	29	41	9

Specification

- Stainless Steel precision casting
 - AISI 316L
 - polished, Ra < 0,8 µm
- Pin
Stainless Steel AISI 316L
- *Stainless Steel characteristics* → Page 334
- **RoHS compliant**

Accessory

- Cable with connector coupling
→ *Main Catalogue Page 890*
- 8-pole, 5 or 10 meter long:
 - GN 330-M12x1-8-G-5
 - GN 330-M12x1-8-G-10

On request

- Hinges with operating angle > 0°
- Hinges with other contact loadings

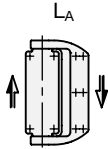
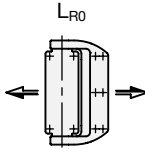

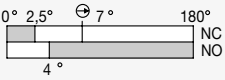
Information

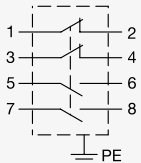
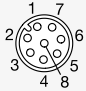
Hinges GN 139.5 with integrated safety switches have been designed for monitoring doors and covers of machines and plants. Opening the door will activate the switch contacts which, in turn, will then e.g. interrupt a protective circuit via break contact (NC) and at the same time signal the door opening by closing a normally open contact element (NO). The contact blocks are fitted with positive opening slow-action contacts, i.e. they will definitely be separated when activated and have no hysteresis. The angle at which the switching points are reached are adjustable.

Together with the integrated contact blocks, the hinges are a compact, easy to mount unit with an attractive design. The mounting from the back make the hinge more tamper-proof. Hinges GN 139.6 without switching function act as additional hinges, e.g. for larger doors or gates where several hinges are required.

Hinge with safety switch	1	l ₁
	2	l ₂
GN 139.5-76-126-CK-5	3	Type
	4	l ₆

Hinge without safety switch	1	l ₁
GN 139.6-76-126	2	l ₂

Mechanical features			
Maximum load Information with safety factor Examples of calculation → see operating instruction	Load direction		
	F max.	2000 N	2000 N
			
			2000 N
Fixing	from the back, 10 x threads M6, 8 mm deep		
Recommended torque	10 Nm (Screws M6)		
Protection class	IP67 / IP69K (Mind the cable conduit!)	acc. to EN 60529	
Switching principle, contact opening	Slow-action contacts force-fitted, with positive opening	acc. to IEC 60947-5-1	
Contact material	Silver alloy		
Operating travel diagram (scheme)	The switching points are adjustable up to 2° in direction of 0°. → see operating instruction		
Maximum operating frequency	600 operating cycles / hour	acc. to IEC 60947-5-1,	
Mechanical life span	10 ⁶ operating cycles	one operating cycle includes one opening and one closing action	
Actuating speed	min. 2° / second, max. 90° / second		

Electrical features / Safety features		
Utilization category	AC 15: 24 Vac / 2A / DC 13: 24 Vdc / 2A (connector plug) AC 15: 250 Vac / 3A / DC 13: 250 Vdc / 0,3 A (cable)	acc. to EN 60947-5-1
Contacts, termination 8-pole connector M12 or 9 wire cable with 2 m or 5 m length		
Pin and cable assignment		1 - black 2 - black-white 3 - red 4 - red-white 5 - brown 6 - blue 7 - purple 8 - purple-white PE - yellow-green (only Type CK)
Type of cable	9x0,34 mm ² , PVC H05VV-F, black	acc. to IEC 60332-1
Short-circuit current	1000 A	acc. to EN 60947-5-1
Rated insulation voltage	30 V AC / 36 V DC (connector plug) / 250 Vac (cable)	
Short-circuit protection	2 A, 500 V, Typ gG (connector plug) / 3 A, 500 V, Typ gG (cable)	
Ambient temperature	- 25 °C up to + 80 °C	
Degree of pollution, external	3	
Safety parameters	B10: 1 000 000, B10 d: 5 000 000, B10 / B10 d: 20%	acc. to EN 60947-5-1 acc. to EN ISO 13849-1

Approvals, Conformities, Applicability		
Low-voltage switchgear and controlgear CE declaration EAC- and UL-certified	  	EN 60947-1/2007 EN 60947-1-5 : 2004 + A1/2009
Safety applications	until SIL 3 / PL e	acc. to EN ISO 13849-1

Other important details and hints are given in the operating instruction for GN 139.5 hinges which are included with every hinge and which are also available as PDF downloads from „www.ganter-griff.com“ under ‚Service‘.

The hinges with safety switch must be mounted and commissioned by qualified technical personnel in compliance with the details given in the operating instructions and with the national and international rules and regulations and the applicable standards. Otto Ganter GmbH & Co. KG will assume no statutory liability for missing or incorrect information and for any consequences arising therefrom.