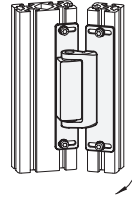
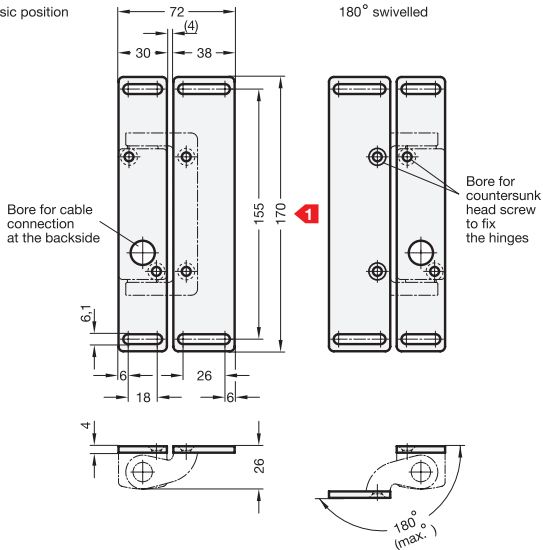


## GN 139.3

Basic position

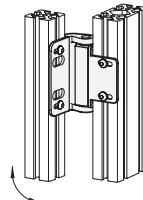
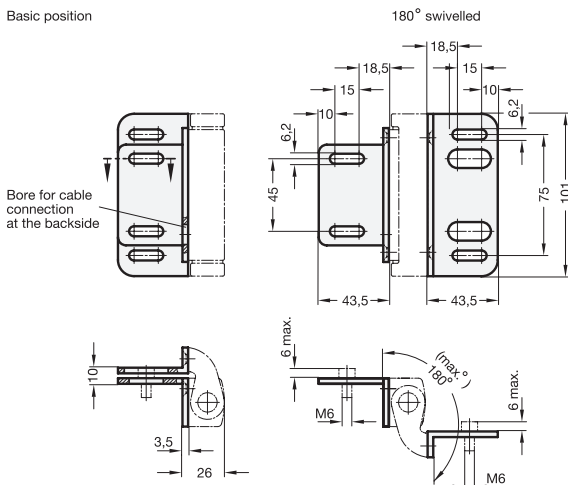


Mounting plate, flat

GN 139.3-170

## GN 139.4

Basic position



Mounting plate, angled

GN 139.4-101

## Specification

## • GN 139.3

Steel  
zinc plated and plastic coated  
silver metallic

## • GN 139.4

Zinc die casting  
plastic coated  
silver metallic

## • RoHS compliant

## Information

The flat mounting plate GN 139.3 allows the hinges GN 139.1 / GN 139.2 to be attached from the front.

The angled mounting plate GN 139.4 allows the hinges GN 139.1 / GN 139.2 to be attached between frame and door, i.e. the door gap.

The long slotted holes allow the attachment to profile systems.

Countersunk screws for fixing the hinges to the mounting plate are included part of the order.

see also...

• Assembly sets for profile systems 30 / 40 GN 965 → Page 149

• Assembly sets for profile systems 30 / 40 / 45 GN 968 → Page 157