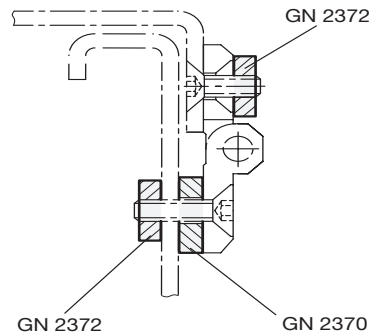


Application example


 ROSTFREI
 Inox
 Stainless
 Steel

2

l_2	b	d	l_1	m_1	m_2	s
30	9	M 4	30	18	18	3
40	12	M 5	40	25	25	3
50	15	M 6	50	30	30	4
60	18	M 8	60	36	36	4

Specification

1

3

- Stainless Steel **NI**
- AISI 304
- matt, tumbled finish **MT**
- Stainless Steel characteristics → Page 334
- RoHS compliant

Information

Dimensionally, Stainless Steel-Plates with tapped holes GN 2372 are designed as accessories for the GN 237 family of hinges, eliminating the need for nuts and washers for mounting.

Meanwhile, there is no need for the time-consuming pre-assembly of washer and nuts or for counterholding during tightening. Mounted to the top side of the hinge, the plate offers entirely new assembly options.

see also...

- Hinges GN 237 → Page 259
- Hinges GN 237.1 (Plastic) → Main Catalogue Page 882
- Hinges GN 337 (detachable) → Main Catalogue Page 877

How to order

GN 2372-NI-40-MT

1	Material
2	l_2
3	Finish