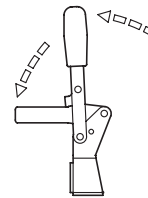


Operating principle



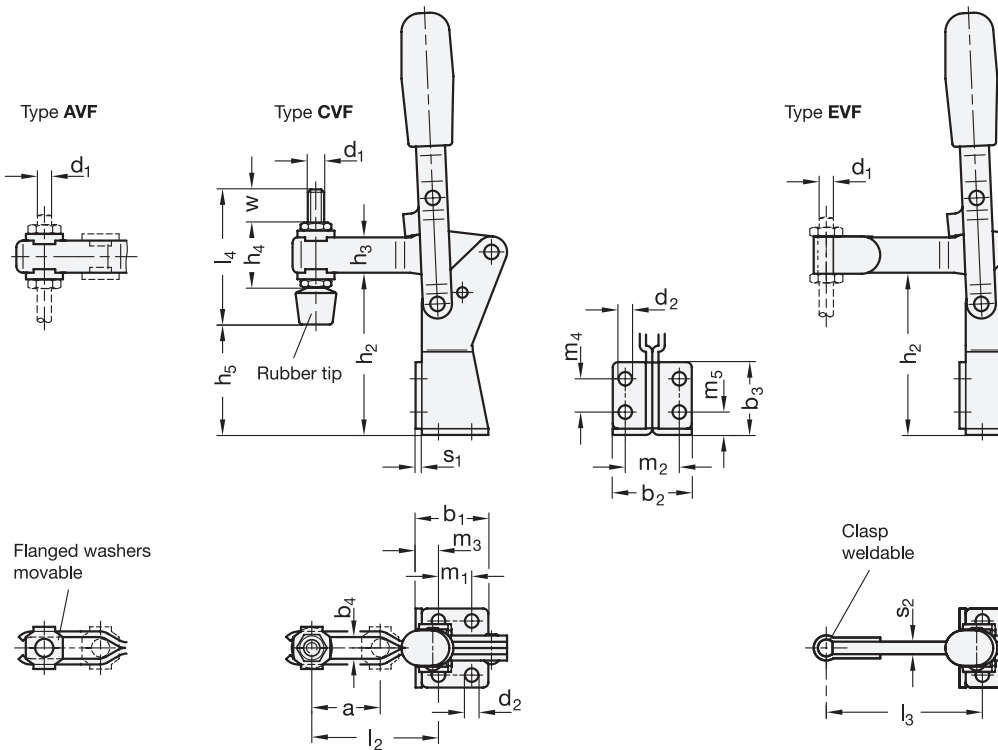
2 Type

- AVF** U-bar version, with two flanged washers
- CVF** U-bar version, with two flanged washers and GN 708.1 spindle assembly
- EVF** Solid bar version, with clasp

1

Size	F_H in N Holding Capacity	$a \approx$	b_1	b_2	b_3	b_4	d_1	d_2	$h_1 \approx$	h_2	h_3	$h_4 \approx$	h_5 max.
200	1600	36	35	38	35	8,5	M 8	6,5	203	77	17	29	53
300	2400	50	48	48	51	10,2	M 10	8,5	258	105	20	35	76,5

Size	$l_1 \approx$		l_2	l_3 max.	l_4	m_1	m_2	m_3	m_4	m_5	r		s_1	s_2	w Adjustable Range
	Type AVF	Type EVF									Type AVF	Type EVF			
200	103	105	61	85	68	16	26	11	16	11	95,5	97,5	3	6	21
300	130	132	75	100	77	28	30	11,5	30	12	121,5	123	3	8	21



Specification

- Parts in sheet metal
Case-hardened steel C10
zinc plated, blue passivated
- Bearing pins tempered
- Bearing rivets case-hardened
- All moving parts
lubricated with special grease
- Hand grip
High quality, oil resistant red plastic
- Spindle assembly GN 708.1 (Type A)
- Steel, zinc plated
- Rubber tip 85 Shore A
- **RoHS compliant**

Accessory

- Spindle assemblies
- GN 809 Clamp mounts for toggle clamps
(for Type EVF)
- GN 801 Clamp mounts for toggle clamps
(for Type AVF)

Information

GN 812.1 vertical acting toggle clamps work according to the toggle principle: lever and clamping bar move in the same direction. In the clamped position the operating lever is in its vertical position.

They can be mounted in two planes via the dual flanged mounting base and require less space for the clamping action.

Vertical acting toggle clamps in the U-bar version with two flanged washers (Type AVF) can accommodate an application specific clamping screw. A spindle assembly with neoprene rubber tip is also included for Type CVF.

Type EVF version can either be utilized by welding the clasp which can then accommodate an application specific hold-down fastener component, or by utilizing the bar in conjunction with the GN 809 Clamp Mounts to hold the work piece in place.

see also...

- *General information for toggle clamps*

How to order

GN 812.1-200-EVF

- 1 Size
- 2 Type

