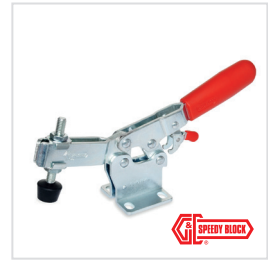
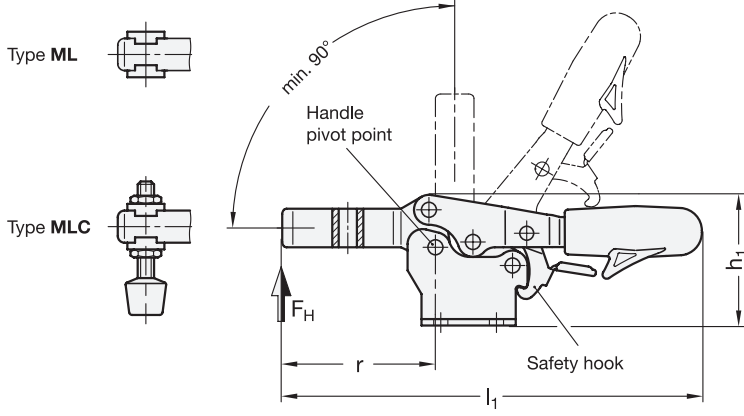


GN 820.3

Steel / Stainless Steel

Horizontal acting toggle clamps

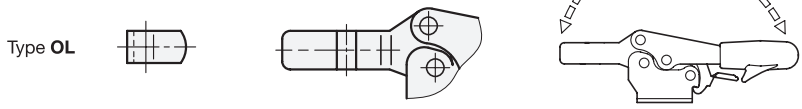
with safety hook, with horizontal mounting base



ROSTFREI
Inox
Stainless
Steel

- 2 Type**
- ML** U-bar version, with two flanged washers
 - MLC** U-bar version, with two flanged washers and GN 708.1 spindle assembly
 - OL** Solid bar version, with clasp

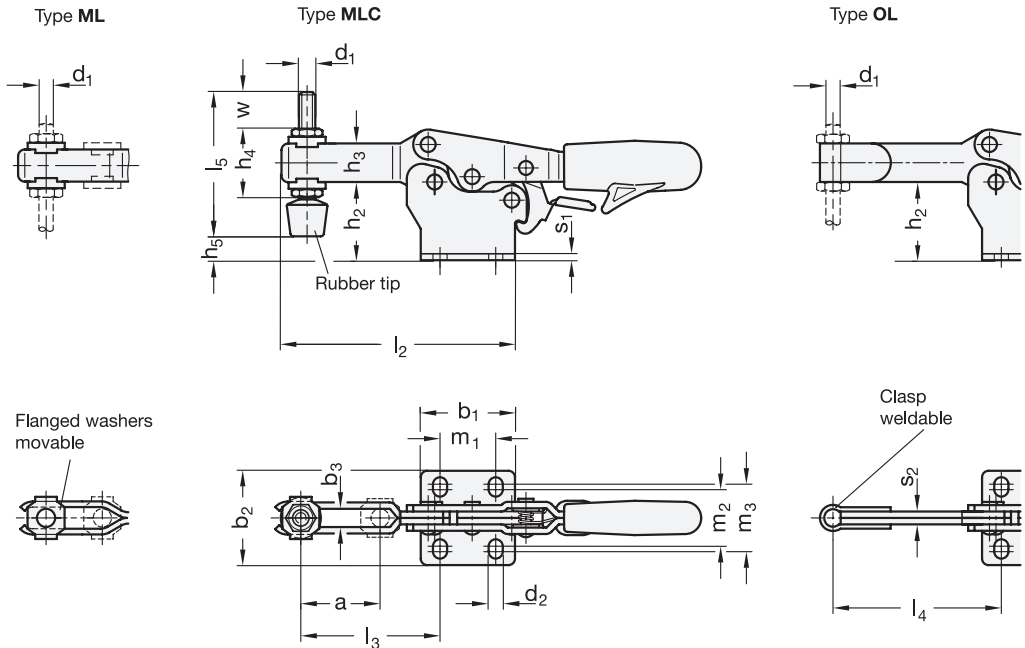
Operating principle



1

Size	Steel	Stainless Steel	F _H in N Holding Capacity	a ≈	b ₁	b ₂	b ₃	d ₁	d ₂	h ₁ ≈	h ₂	h ₃	h ₄	h ₅ max.
75	75	75	900	20	28	26	5,3	M 5	4,5	37	20	11	19	5
130	130	130	1000	32	36	40	6,3	M 6	5,6	51	30,5	16	25,5	14
230	230	230	1700	37	44	44	8,5	M 8	6,6	61,5	36,5	18	30	12,5
355	-	-	1800	58	60	58	10,5	M 10	8,6	83	50	22	37	23,5
455	-	-	3200	65	70	65	12,5	M 12	8,7	99	60	26	43	27,5

Size	Steel	Stainless Steel	l ₁ ≈	l ₂ ≈	l ₃ ≈	l ₄ max.	l ₅	m ₁	m ₂	m ₃	r	s ₁	s ₂	w Adjustable Range
75	75	75	118	67	40	49,5	45	13,5	16	19	43	2	4	15
130	130	130	172	92	53	64	55	26	22,4	28,4	62	2,5	5	17,5
230	230	230	196	109	63,5	78	68	26	26	31,5	72	3	6	20
355	-	-	270	160	96	115	77	41	38,8	43	108,5	3,5	7	19
455	-	-	306	184	116	135	100	41,5	40	43	126	4	10	33



Specification

- Steel —
 - Case-hardened Steel C10 zinc plated, blue passivated
 - Bearing pins tempered
 - Bearing rivets (for size 355 and up) case-hardened
- Stainless Steel NI
AISI 304
- All moving parts lubricated with special grease
- Hand grip
High quality, oil resistant red plastic
- Spindle assembly GN 708.1, type A
 - Steel, zinc plated / Stainless Steel, AISI 304
 - Rubber tip 85 Shore A
- *Stainless Steel characteristics* → Page 1656
- **RoHS-konform**

Accessory

- Spindle assemblies → Page 765 ff.
- GN 801 Clamp mounts for toggle clamps (for type ML) → Page 771
- GN 809 Clamp mounts for toggle clamps (for type OL) → Page 770

Information

GN 820.3 horizontal acting toggle clamps have a safety function whereby, during closing, a spring loaded safety hook latch ensures a secure locking connection. It prevents the inadvertent unlocking of the clamp due to vibrations or an accidental attempt of loosening / opening of the clamp. To open and release the clamp, pull up on the finger grip to disengage the safety hook latch mechanism (one hand operation).

They work according to the toggle principle: lever and clamping bar move in the opposite direction. They require less space for the clamping action.

Horizontal acting toggle clamps in the U-bar version with two flanged washers (Type ML) can accommodate an application specific clamping screw. A spindle assembly with neoprene rubber tip is also included for Type MLC.

Type OL version can be utilized by welding the clasp, which can then accommodate an application specific hold-down fastener component, or by utilizing the bar in conjunction with GN 809 Clamp Mounts to hold the work piece in place.

How to order (Steel) 1 2 GN 820.3-355-ML	1 Size 2 Type
--	--------------------------------

How to order (Stainless Steel) 1 2 3 GN 820.3-75-OL-NI	1 Size 2 Type 3 Material
---	---

