

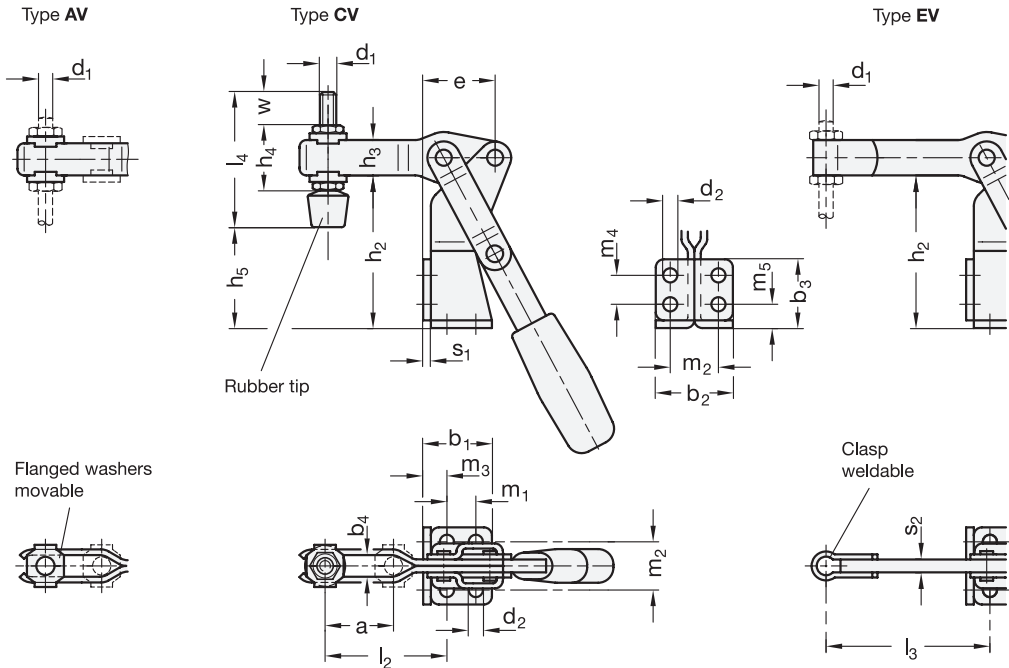
**2 Type**

- AV** U-bar version, with two flanged washers
- CV** U-bar version, with two flanged washers and GN 708.1 spindle assembly
- EV** Solid bar version, with clasp

**1**

| Size | F <sub>H</sub> in N Holding Capacity | a ≈ | b <sub>1</sub> | b <sub>2</sub> | b <sub>3</sub> | b <sub>4</sub> | d <sub>1</sub> | d <sub>2</sub> | e  | h <sub>1</sub> ≈ | h <sub>2</sub> | h <sub>3</sub> | h <sub>4</sub> | h <sub>5</sub> max. |
|------|--------------------------------------|-----|----------------|----------------|----------------|----------------|----------------|----------------|----|------------------|----------------|----------------|----------------|---------------------|
| 200  | 1200                                 | 34  | 35             | 38             | 35             | 8,5            | M 8            | 6,5            | 37 | 154              | 76             | 17             | 29             | 52                  |
| 300  | 1900                                 | 42  | 48             | 48             | 51             | 10,4           | M 10           | 8,5            | 46 | 198              | 108            | 20             | 35             | 79,5                |

| Size | l <sub>1</sub> ≈ | l <sub>2</sub> ≈ | l <sub>3</sub> max. | l <sub>4</sub> | m <sub>1</sub> | m <sub>2</sub> | m <sub>3</sub> | m <sub>4</sub> | m <sub>5</sub> | r ≈ | s <sub>1</sub> | s <sub>2</sub> | w Adjustable Range |
|------|------------------|------------------|---------------------|----------------|----------------|----------------|----------------|----------------|----------------|-----|----------------|----------------|--------------------|
| 200  | 158              | 59               | 76                  | 68             | 16             | 26             | 11             | 16             | 11             | 96  | 3              | 6              | 21                 |
| 300  | 194              | 74               | 95                  | 77             | 28             | 30             | 11,5           | 30             | 12             | 122 | 3              | 8              | 21                 |



### Specification

- Parts in sheet metal
  - Case-hardened Steel C 10 zinc plated, blue passivated
- Bearing pins tempered
- Bearing rivets case-hardened
- All moving parts lubricated with special grease
- Hand grip
  - High quality, oil resistant red plastic
- Spindle assembly GN 708.1 (Type A)
  - Steel, zinc plated
  - Rubber tip 85 Shore A
- **RoHS compliant**

### Accessory

- Spindle assemblies
- GN 801 Clamp mounts for toggle clamps (for Type AV)
- GN 809 Clamp mounts for toggle clamps (for Type EV)

### Information

GN 812 vertical acting toggle clamps work according to the toggle principle: lever and clamping bar move in the same direction. They can be mounted in two planes via the dual flanged mounting base and require less space for the clamping action because the clamping arm and the operating lever move in opposite directions.

Vertical acting toggle clamps in the U-bar version with two flanged washers (Type AV) can accommodate an application specific clamping screw. A spindle assembly with neoprene rubber tip is also included for Type CV.

Type EV version can either be utilized by welding the clasp which can then accommodate an application specific hold-down fastener component, or by utilizing the bar in conjunction with the GN 809 Clamp Mounts to hold the work piece in place.

see also...

- *General information for toggle clamps*

|  |               |
|--|---------------|
| <b>How to order</b><br> <br><b>GN 812-300-EV</b> | 1 <b>Size</b> |
|  | 2 <b>Type</b> |

