

**INDICATOR BODY**

Transparent polyamide based (PA-T) technopolymer. Highly resistant to shocks, solvents, oils with additives, aliphatic and aromatic hydrocarbons, petrol, naphtha, phosphoric esters.

Avoid contact with alcohol or detergents containing alcohol.

**PROTECTION FRAME**

Glass-fibre reinforced polyamide based (PA) SUPER-technopolymer, black colour, matte finish. Supplied assembled, removable by a screwdriver.

**SCREWS, NUTS AND WASHERS**

- Zinc-plated steel. (HCX-PT).
- AISI 303 stainless steel screws, AISI 304 stainless steel nuts and washers. (HCX-PT-SST).
- Glass-fibre reinforced polyamide based (PA) SUPER-technopolymer screws, AISI 304 stainless steel nuts and washers. (HCX-PT-VT).

**PACKING RINGS**

- NBR synthetic rubber O-Ring. (HCX-PT e HCX-PT-VT).
  - FKM type VITON®O-Ring. (HCX-PT-SST).
- Roughness of the packing ring application surface Ra = 3 µm.

**CONTRAST SCREEN**

White lacquered aluminium. The housing, in the appropriate external rear slot, guarantees the best protection from direct contact with fluid. It can be taken out from the inclined side, before assembly to allow the insertion of level lines or words.

**STANDARD EXECUTIONS**

- **HCX-PT:** without thermometer. Zinc-plated steel screws, nuts and washers.
- **HCX/T-PT:** with incorporated thermometer. Zinc-plated steel screws, nuts and washers.
- **HCX-PT-SST:** without thermometer. AISI 303 stainless steel screws, AISI 304 stainless steel nuts and washers.
- **HCX/T-PT-SST:** with incorporated thermometer. AISI 303 stainless steel screws, AISI 304 stainless steel nuts and washers.
- **HCX-PT-VT:** without thermometer. Glass-fibre reinforced polyamide based (PA) SUPER-technopolymer screws, AISI 304 stainless steel nuts and washers.
- **HCX/T-PT-VT:** with incorporated thermometer. Glass-fibre reinforced polyamide based (PA) SUPER-technopolymer screws, AISI 304 stainless steel nuts and washers.

**MOUNTING**

When fitting is not possible from the inside of the reservoir and the walls are not thick enough, the screws can be used together with Fast Mounting Kit.

**MAXIMUM CONTINUOUS WORKING TEMPERATURE**

90°C (with oil).

**FEATURES AND PERFORMANCES**

Ultrasound welding to guarantee a perfect seal.  
 Lens effect for a better visibility of the fluid level and temperature.  
 Special openings in the protection frame provide maximum fluid level visibility even from side positions.  
 All shocks are absorbed by the frame that transmits them directly onto the wall of the reservoir.

**TECHNICAL DATA**

In laboratory tests carried out with mineral oil type CB68 (according to ISO 3498) at 23°C for a limited period of time, the weld stood up to: 18 bar (HCX.76-PT e HCX.127-PT) 12 bar (HCX.254-PT).

For use with other fluids and under different pressure and temperature conditions, please contact ELESa Technical Department.

In any case we suggest to verify the suitability of the product under the actual working conditions.



ELESa Original design

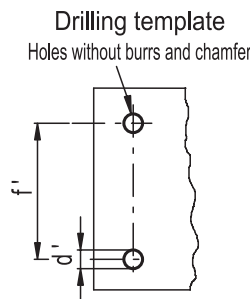
**OTHER STANDARD EXECUTIONS**

- HCX-AR for use with fluids containing alcohol.
- HCX-BW-SST for use with hot water.

**SPECIAL EXECUTIONS ON REQUEST**

- UV resistant transparent technopolymer indicators.
- Indicators with two red ball-shaped floats (only for the execution without thermometer).
- Indicators with cylindrical or step-shaped (NBR or FKM) packing rings (instead of OR) for mounting on reservoirs having rough surfaces or in any case not perfectly flat.

\* Registered trademark by DuPont Dow Elastomers.

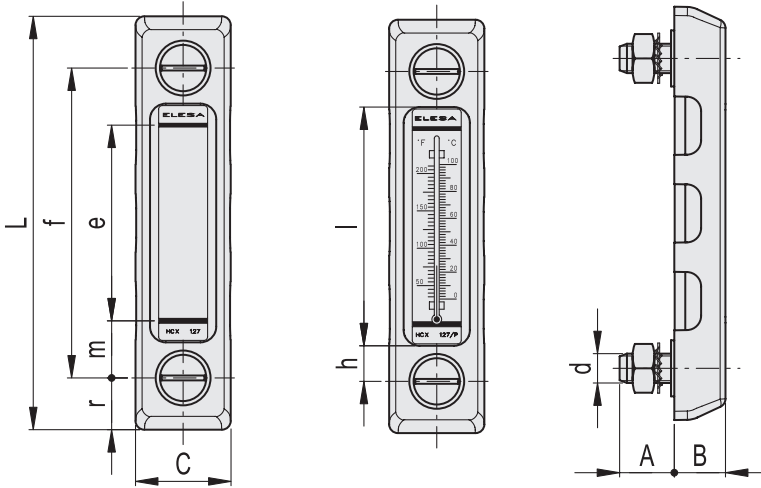


- 1
- 2
- 3
- 4
- 5
- 6
- 7
- 8
- 9
- 10
- 11
- 12
- 13
- 14
- 15
- RH

- 1
- 2
- 3
- 4
- 5
- 6
- 7
- 8
- 9
- 10
- 11
- 12
- 13
- 14
- 15
- RH

HCX-PT  
HCX-PT-SST  
HCX-PT-VT

HCX/T-PT  
HCX/T-PT-SST  
HCX/T-PT-VT



HCX-PT - HCX/T-PT

Code	Description	f	d	A	B	C	L	e	h	l	m	r	d'-0.2 f±0.2	Thermometer scale°C	Thermometer scale°F	C# [Nm]	⚖️	
11332	HCX.76-PT-M10	76	M10	20	19	35.5	115	40	13.5	49	18	19.5	10.5	76	-	-	12	117
11336	HCX.76/T-PT-M10	76	M10	20	19	35.5	115	40	13.5	49	18	19.5	10.5	76	20+100	68+210	12	117
11372	HCX.127-PT-M12	127	M12	22	21	39	169	80	15	96	23	21	12.5	127	-	-	12	191
11377	HCX.127/T-PT-M12	127	M12	22	21	39	169	80	15	96	23	21	12.5	127	0+100	32+210	12	191
11359	HCX.254-PT-M12	254	M12	21	21.5	44.5	301	203	18	218	26	23.5	12.5	254	-	-	12	288
11369	HCX.254/T-PT-M12	254	M12	21	21.5	44.5	301	203	18	218	26	23.5	12.5	254	0+100	32+210	12	288

HCX-PT-SST - HCX/T-PT-SST



Code	Description	f	d	A	B	C	L	e	h	l	m	r	d'-0.2 f±0.2	Thermometer scale°C	Thermometer scale°F	C# [Nm]	⚖️	
11334	HCX.76-PT-SST-M10	76	M10	20	19	35.5	115	40	13.5	49	18	19.5	10.5	76	-	-	12	119
11338	HCX.76/T-PT-SST-M10	76	M10	20	19	35.5	115	40	13.5	49	18	19.5	10.5	76	20+100	68+210	12	119
11373	HCX.127-PT-SST-M12	127	M12	22	21	39	169	80	15	96	23	21	12.5	127	-	-	12	193
11378	HCX.127/T-PT-SST-M12	127	M12	22	21	39	169	80	15	96	23	21	12.5	127	0+100	32+210	12	193
11360	HCX.254-PT-SST-M12	254	M12	21	21.5	44.5	301	203	18	218	26	23.5	12.5	254	-	-	12	290
11370	HCX.254/T-PT-SST-M12	254	M12	21	21.5	44.5	301	203	18	218	26	23.5	12.5	254	0+100	32+210	12	290

HCX-PT-VT - HCX/T-PT-VT

Code	Description	f	d	A	B	C	L	e	h	l	m	r	d'-0.2 f±0.2	Thermometer scale°C	Thermometer scale°F	C# [Nm]	⚖️	
111353	HCX.127-PT-VT-M12	127	M12	22	21	39	169	80	15	96	23	21	12.5	127	-	-	6	147
111363	HCX.127/T-PT-VT-M12	127	M12	22	21	39	169	80	15	96	23	21	12.5	127	0+100	32+210	6	147
111373	HCX.254-PT-VT-M12	254	M12	21	21.5	44.5	301	203	18	218	26	23.5	12.5	254	-	-	6	248
111379	HCX.254/T-PT-VT-M12	254	M12	21	21.5	44.5	301	203	18	218	26	23.5	12.5	254	0+100	32+210	6	248

Accessories for hydraulic systems

10

# Maximum tightening torque.

