

**MATERIAL**

Glass-fibre reinforced polyamide based (PA) technopolymer, black colour, matte finish.

**PACKING RING**

NBR synthetic rubber O-Ring.

**STANDARD EXECUTIONS**

- **TNR.:** without side hole.
- **TNRF.:** with side breather hole.

**MAXIMUM CONTINUOUS WORKING TEMPERATURE**

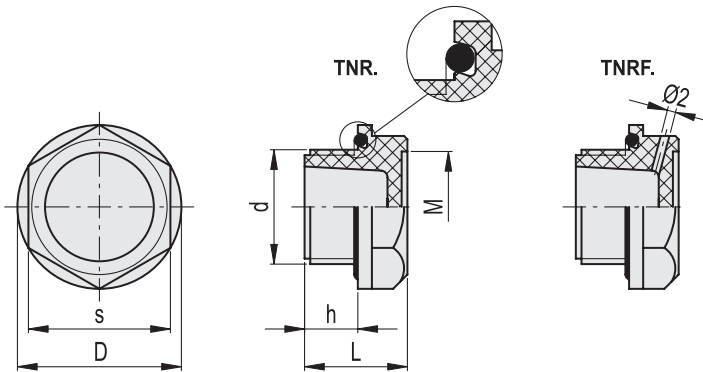
100°C.

**ACCESSORIES ON REQUEST**

TNR. plugs are suitable for mounting aluminium plates with graphic symbols type MH.



ELESA Original design



Code	Description	Code	Description	d	h	s	D	L	M	Tightening torque [Nm]	⚖️
158295	TNR.1/4	158495	TNRF.1/4	G 1/4	9	19	22	17	15	4+6	4
158296	TNR.3/8	158496	TNRF.3/8	G 3/8	9	22	25.5	18	17	8+10	6
158297	TNR.1/2	158497	TNRF.1/2	G 1/2	11	27	32	20	20.5	8+10	8
158298	TNR.3/4	158498	TNRF.3/4	G 3/4	12	32	37	22	25	10+12	14
158299	TNR.1	158499	TNRF.1	G 1	13	38	44	23	31	12+15	18
158411	TNR.1 ¼	158611	TNRF.1 ¼	G1 1/4	14	46	53.5	26	38	15+18	32
158413	TNR.1 ½	158613	TNRF.1 ½	G1 1/2	15	55	63.5	28	46	15+18	51

