

- 1
- 2
- 3
- 4
- 5
- 6
- 7
- 8
- 9
- 10
- 11
- 12
- 13
- 14
- 15
- RH
- Wrench icon

MATERIAL

Glass-fibre reinforced polyamide based (PA) technopolymer, black colour, matte finish.

PACKING RING

NBR synthetic rubber.

STANDARD EXECUTIONS

- **TN.**: without side hole.
- **TNF.**: with side breather hole.

MAXIMUM CONTINUOUS WORKING TEMPERATURE

100°C.

TECHNICAL DATA

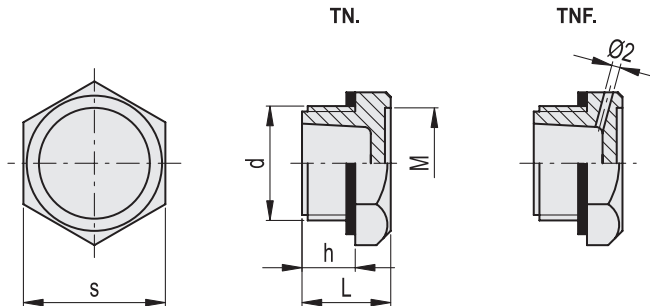
The tightening torque indicated in the table guarantees an optimal tightness, keeping the packing ring in the correct position.

ACCESSORIES ON REQUEST

TN. plugs are suitable for mounting aluminium plates with graphic symbols type MH.



ELESA Original design



Code	Description	Code	Description	d	h	s	L	M	Tightening torque [Nm]	⚖️
58284	TN.10x1.5	58334	TNF.10x1.5	M10x1.5	9	19	16	15	4+5	4
58285	TN.12x1.5	58335	TNF.12x1.5	M12x1.5	9	19	16	15	6+8	4
58286	TN.14x1.5	58336	TNF.14x1.5	M14x1.5	9	19	16	15	6+8	5
58287	TN.16x1.5	58337	TNF.16x1.5	M16x1.5	9	22	16	17	8+10	7
58288	TN.18x1.5	58338	TNF.18x1.5	M18x1.5	11	26	18	20.5	8+10	8
58289	TN.20x1.5	58339	TNF.20x1.5	M20x1.5	11	26	18	20.5	8+10	8
58290	TN.22x1.5	58340	TNF.22x1.5	M22x1.5	12	32	20	25	10+12	12
58291	TN.25x1.5	58343	TNF.25x1.5	M25x1.5	12	32	20	25	10+12	12
58292	TN.26x1.5	58344	TNF.26x1.5	M26x1.5	12	32	20	25	10+12	14
58293	TN.35x1.5	58345	TNF.35x1.5	M35x1.5	13	38	22	31	15+18	15
58401	TN.40x1.5	58451	TNF.40x1.5	M40x1.5	14	46	24	38	15+18	20
58294	TN.1/8	58346	TNF.1/8	G 1/8	9	19	16	15	4+6	4
58295	TN.1/4	58347	TNF.1/4	G 1/4	9	19	16	15	4+6	4
58296	TN.3/8	58348	TNF.3/8	G 3/8	9	22	16	17	8+10	5
58297	TN.1/2	58349	TNF.1/2	G 1/2	11	26	18	20.5	8+10	8
58298	TN.3/4	58350	TNF.3/4	G 3/4	12	32	20	25	10+12	14
58299	TN.1	58353	TNF.1	G 1	13	38	22	31	12+15	18
58411	TN.1¼	58461	TNF.1 ¼	G1 1/4	14	46	24	38	15+18	20
58413	TN.1½	58463	TNF.1 ½	G1 1/2	15	55	26	46	15+18	24

Accessories for hydraulics