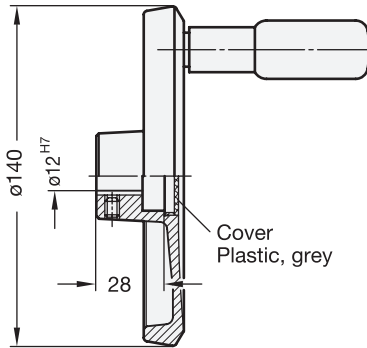
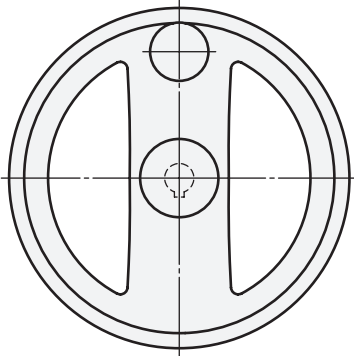


# Handwheels for linear actuators and transfer units

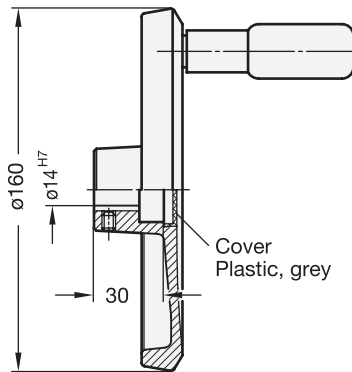
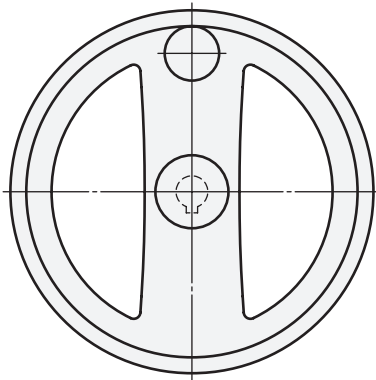
Aluminium, black plastic coated



**Handwheel for  
linear actuator  $\varnothing 50$  /  $\nabla 50$   
GN 924.50-140-K12-R**

## Specification

see GN 924 → Page 154



**Handwheel for  
linear actuator  $\varnothing 60$   
GN 924.60-160-K14-R**

## Specification

see GN 924 → Page 154

