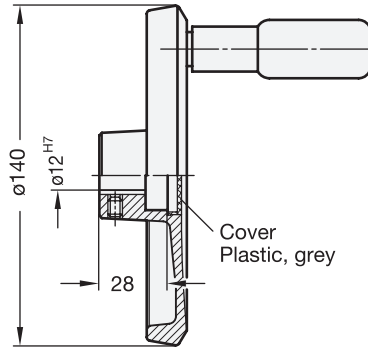
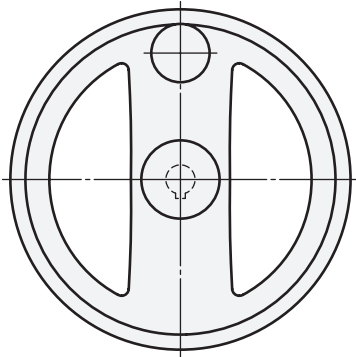


Handwheels for linear actuators and transfer units

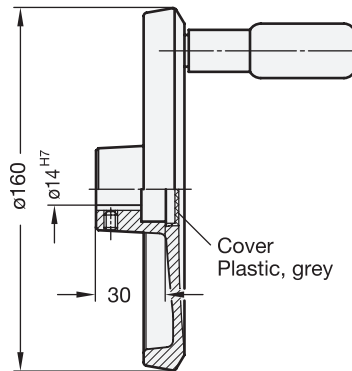
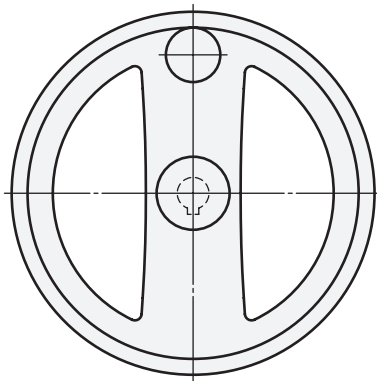
Aluminium, black plastic coated



Spoked handwheel for
- Linear actuator $\varnothing 50 / \varnothing 50$
- Double tube linear actuator $\varnothing 50$
GN 924.50-140-K12-R

Specification

see GN 924 → Page 154



Spoked handwheel for
- Linear actuator $\varnothing 60$
- Double tube linear actuator $\varnothing 60$
GN 924.60-160-K14-R

Specification

see GN 924 → Page 154



2.1
2.2
2.3
2.4
2.5
2.6
2.7
2.8
2.9