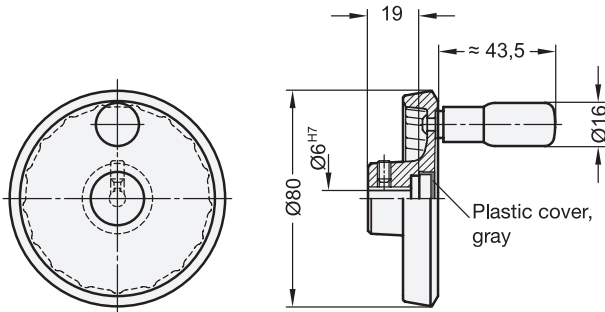


Handwheels for linear actuators and transfer units

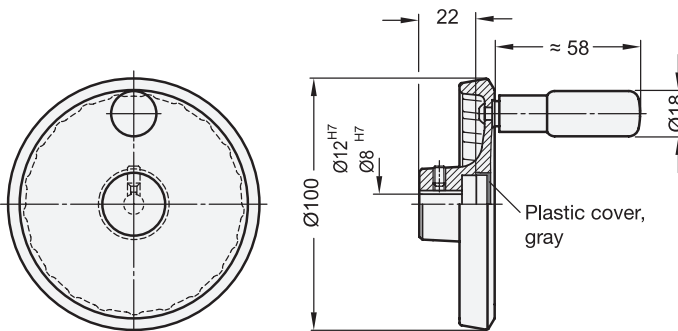
Aluminium, black plastic coated



Disc handwheel for
- Linear actuator Ø 18
- Double tube linear actuator Ø 18
GN 923.18-80-K6-R

Specification

see GN 923 → Page XYZ

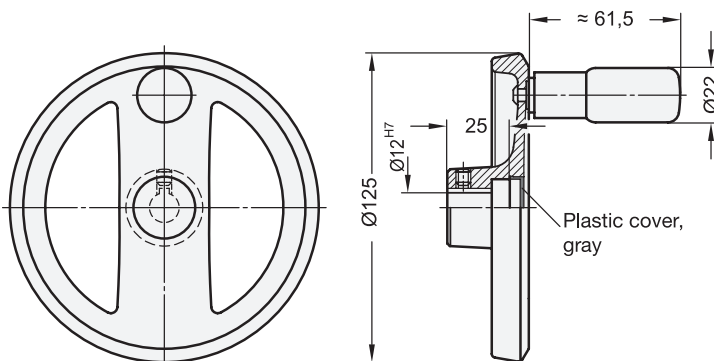


Disc handwheel for
- Linear actuator Ø 30 / ∇ 30
- Double tube linear actuator Ø 30
GN 923.30-100-K8-R

Disc handwheel for
- Linear actuator Ø 40 / ∇ 40
- Double tube linear actuator Ø 40
GN 923.40-100-K12-R

Specification

see GN 923 → Page XYZ



Spoked handwheel for
- Linear actuator Ø 40 / ∇ 40
- Double tube linear actuator Ø 40
GN 924.40-125-K12-R

Specification

see GN 924 → Page XYZ