

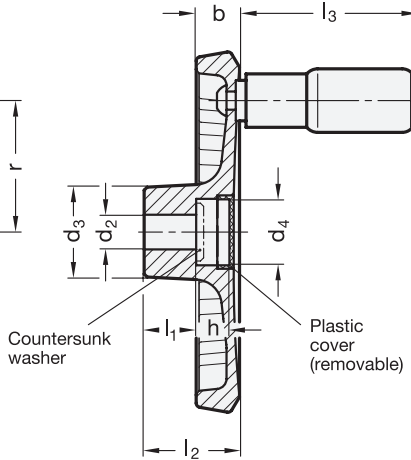
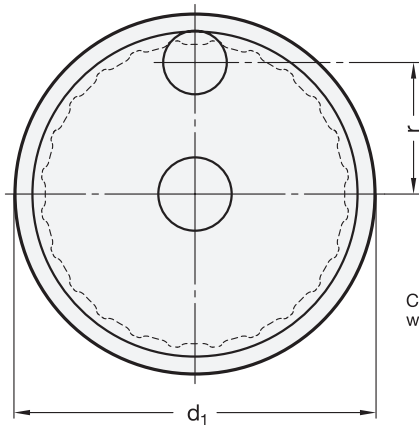


2 Bore code

- B** without keyway
- K** with keyway

4 Type

- A** without handle
- R** with revolving handle



1

3

d ₁	d ₂ H7 Bore	d ₃	d ₄	b	h	l ₁	l ₂ ≈	l ₃ ≈	r	Ø Handle GN 798.2	recommended countersunk washer	
80	10	12	26	17	13	7	16	26	43,5	27,5	16	GN 184-16
100	10	12	28	22	14	9,5	17	30	58	36	18	GN 184-20
125	12	14	31	22	15	11	18	33	61	45,5	22	GN 184-20
140	14	16	36	28,5	16,5	13	19	36	76	52	24	GN 184-25
160	14	16	36	28,5	18	14,5	20	39	76	61	24	GN 184-25
200	18	20	42	36	20,5	16	24	45	85	77,5	25	GN 184-32

Specification

5

- Aluminium pressure die casting
 - Hub machined
 - Rim turned
 - plastic coated
 - black, RAL 9005, textured finish ● **SW**
 - silver, RAL 9006, textured finish ● **SR**
- Rim concentric and square to bore < 0,4
- Revolving handles GN 798.2
 - Plastic, Technopolymer
 - black, matt
- Keyway P9 DIN 6885 → Page 1124
- Cross holes GN 110 → Page 1127
- ISO-Fundamental Tolerances → Page 1132
- RoHS compliant

Accessory

- Countersunk washers GN 184 are to be ordered separately.

Information

Disc handwheels GN 923 are distinguished by modern design.

The removable plastic cover shrouds the fixing components such as screws, countersunk washers as well as the shaft end.

see also...

- Countersunk washers GN 184 (for axial fixing) → Page 542

How to order

1	d ₁
2	Bore code
3	d ₂
4	Type
5	Colour

GN923-140-B14-R-SW