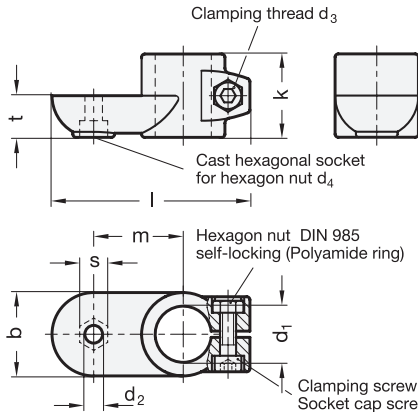


GN 274 Swivel clamp connectors

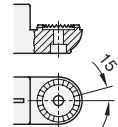
Aluminum



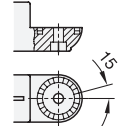
Type **OZ**
without centring step
(smooth)



Type **AV**
with male serration



Type **MZ**
with centring step



Type **IV**
with female serration



2 Type

- OZ** without centring step (smooth)
- MZ** with centring step
- AV** with male serration
- IV** with female serration

3 Identification No.

- 2 with Stainless Steel-Clamping screw DIN 912



d ₁ Bore B	b Swivel width	d ₂	d ₃ Clamping thread	d ₄	k	Length l	m	s	t	Clamping lever for d ₃
B 20	40	8,5	M 8	M 8	40	95	43	13	20	GN 911-M 8-32
B 25	40	8,5	M 8	M 8	40	95	43	13	20	GN 911-M 8-32
B 30	40	8,5	M 8	M 8	40	95	43	13	20	GN 911-M 8-32
B 40	65	10,5	M 10	M 10	65	148	70	17	32,5	GN 911-M10-55
B 42	65	10,5	M 10	M 10	65	148	70	17	32,5	GN 911-M10-55
B 45	65	10,5	M 10	M 10	65	148	70	17	32,5	GN 911-M10-55
B 48	65	10,5	M 10	M 10	65	148	70	17	32,5	GN 911-M10-55
B 50	65	10,5	M 10	M 10	65	148	70	17	32,5	GN 911-M10-55

Specification

- Aluminum
 - plastic coated
black, RAL 9005, textured finish ● **SW**
 - blank ○ **BL**
matt shot-blasted
- Clamping bore mechanically machined
- Socket cap screws DIN 912
Stainless Steel AISI 304
- Hexagon nuts DIN 985
Stainless Steel AISI 304
- *Stainless Steel characteristics → Page 1144*
- **RoHS compliant**

Accessory

- Clamping kits GN 911 → Page 1031



Information

The clamping bore of GN 274 swivel clamp connectors is mechanically machined and designed for construction tubes GN 990 or DIN 2391, DIN 2395 and DIN 2462 respectively.

The standard version of the clamping screw is a socket cap screw with hexagonal socket DIN 912. It can be replaced by a clamping kit GN 911 (article code see table of dimensions).

GN 274 swivel clamp connectors can be assembled with swivel clamp connectors GN 272, GN 276 or GN 278 to create swivel clamp connector joints.

see also...

- *Construction tubes GN 990 → Page 1027*
- *Swivel clamp connector joints GN 284
(Connection of GN 274 with GN 276) → Page 1018*
- *Swivel clamp linear actuator connectors GN 274.1 → Page 1055*

How to order

GN 274-B45-AV-2-BL

- | | |
|---|--------------------|
| 1 | d ₁ |
| 2 | Type |
| 3 | Identification No. |
| 4 | Finish |

3.1

3.2

3.3

3.4

3.5

3.6

3.7

3.8

3.9

