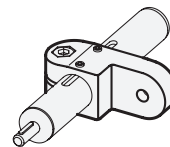
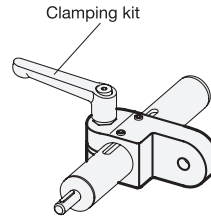
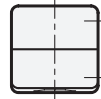
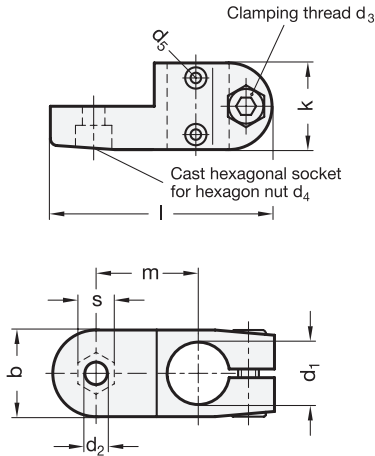




2 Identification No.
 2 with Stainless Steel-Clamping screw DIN 912



1

d_1	b	d_2	d_3	d_4	d_5	k	Length l	m	s	Clamping kit for d_3	
Bore B without slide bushing	Bore G with slide bushing	Swivel width		Clamping thread		Clamping length					
B 18	G 18	25	6,5	M 6	M 6	M 3	25	64	29,5	10	GN 911-M6-22

Specification

- Aluminium plastic coated black, RAL 9005, textured finish **● SW**
- Guide bore mechanically machined
- Slide bushing Polyamide
- Socket cap screws DIN 912 Stainless Steel AISI 304
- Hexagon nuts DIN 985 Stainless Steel AISI 304
- Stainless Steel characteristics → Page 1144
- RoHS compliant

Accessory

- Clamping kits GN 911 → Page 1031

3

Information

GN 273.1 swivel clamp linear actuator connectors are normally supplied **mounted** only in connection with a linear actuator and for function control.

By means of the clamping screw on the guide bore d_1 the movement can either be set or the linear actuator connector can be clamped (after setting of final adjustment).

The standard version of the clamping screws are socket cap screws with hexagonal socket DIN 912. They can be replaced by clamping kits GN 911 (article code see table of dimensions).

see also...

- Linear actuators GN 291 → Page 1036
- Linear actuators GN 292 → Page 1038

How to order

GN 273.1-B18-2-SW

1	d_1
2	Identification No.
3	Finish