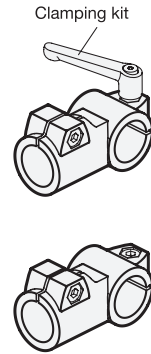
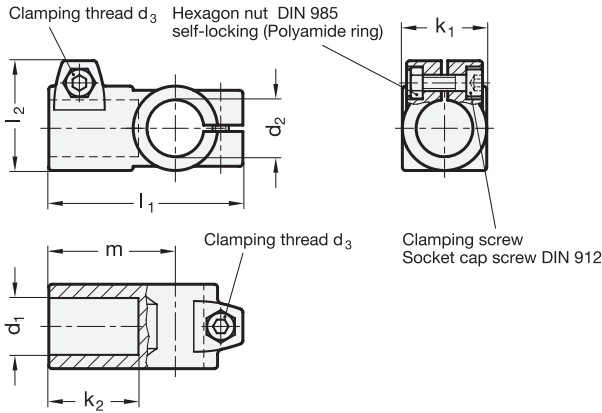


# GN 192 T-Angle connector clamps

Aluminum



Inch sizes available

### 3 Identification No.

2 with two Stainless Steel-Clamping screw DIN 912

<b>d<sub>1</sub></b> Bore B	<b>d<sub>2</sub></b> Bore B	<b>k<sub>1</sub></b> Clamping length	<b>d<sub>3</sub></b> Clamping thread	<b>k<sub>2</sub></b> Clamping length	<b>l<sub>1</sub></b>	<b>l<sub>2</sub></b>	<b>m</b>	Clamping kit for d <sub>3</sub>
B 20	B 20	40	M 8	42,5	92	52	60	GN 911-M 8-32
B 25	B 25	40	M 8	42,5	92	52	60	GN 911-M 8-32
B 30	B 30	40	M 8	42,5	92	52	60	GN 911-M 8-32
B 30	B 30	56	M 10	62	129	69	88	GN 911-M10-40
B 32	B 32	56	M 10	62	129	69	88	GN 911-M10-40
B 35	B 35	56	M 10	62	129	69	88	GN 911-M10-40
B 40	B 40	56	M 10	62	129	69	88	GN 911-M10-40
B 40	B 40	65	M 10	75	148	77,5	103	GN 911-M10-55
B 42	B 42	65	M 10	75	148	77,5	103	GN 911-M10-55
B 45	B 45	65	M 10	75	148	77,5	103	GN 911-M10-55
B 48	B 48	65	M 10	75	148	77,5	103	GN 911-M10-55
B 50	B 50	65	M 10	75	148	77,5	103	GN 911-M10-55
B 50	B 50	80	M 10	80	177	92	125	GN 911-M10-55
B 55	B 55	80	M 10	80	177	92	125	GN 911-M10-55
B 60	B 60	80	M 10	80	177	92	125	GN 911-M10-55

## Specification

- Aluminum
  - plastic coated black, RAL 9005, textured finish **● SW**
  - blank **○ BL**
  - matt shot-blasted
- Clamping bores mechanically machined
- Socket cap screws DIN 912 Stainless Steel AISI 304
- Hexagon nuts DIN 985 Stainless Steel AISI 304
- Stainless Steel characteristics → Page 1144
- RoHS compliant

## Accessory

- Clamping kits GN 911 → Page 1031

## On request

- d<sub>1</sub> / d<sub>2</sub> with different bores

## 5 Information

The clamping bores of GN 192 T-Angle connector clamps are mechanically machined and designed for construction tubes GN 990 or DIN 2391, DIN 2395 and DIN 2462 respectively.

The standard version of the clamping screws are socket cap screws with hexagonal socket DIN 912. They can be replaced by clamping kits GN 911 (article code see table of dimensions).

see also...

- Construction tubes GN 990 → Page 1027
- T-Angle linear actuator connectors GN 192.1 → Page 1053

### How to order

1	d <sub>1</sub>
2	d <sub>2</sub>
3	k <sub>1</sub>
4	Identification No.
5	Finish

GN 192-B32-B32-56-2-BL