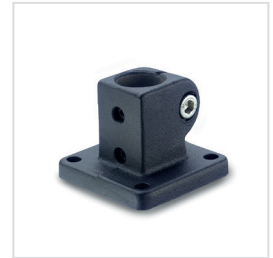


GN 162.1

Aluminium / Stainless Steel

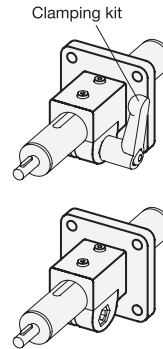
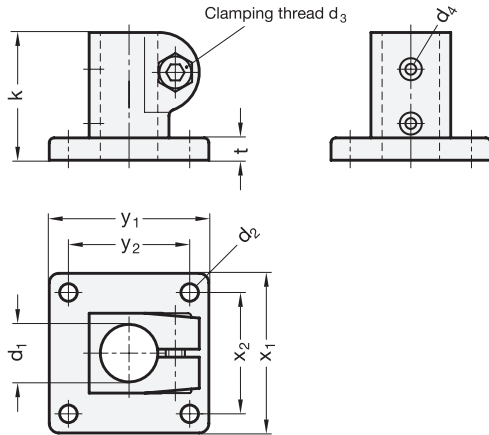
Base plate linear actuator connectors

for linear actuators Ø18



ROSTFREI
Inox
Stainless
Steel

2 Identification No.
2 with Stainless Steel-
Clamping screw DIN 912



1

d_1		d_2	d_3	d_4	k	t	x_1	x_2	y_1	y_2	Clamping kit for d_3	
Bore B without slide bushing	Bore G with slide bushing		Clamping thread	Mounting screw on the follower	Clamping length						Lever Zinc die casting	Lever Stainless Steel
B 18	G 18	5,5	M 6	M 3	40	7	50	38	50	38	GN 911-M6-22	GN 911.3-M6-22

Specification

- Aluminium plastic coated black, RAL 9005, textured finish **SW**
- Stainless Steel AISI CF-8 **NI**
 - matt shot-blasted
 - Bore only with slide bushing (G18)
- Guide bore mechanically machined
- Slide bushing Polyamide
- Socket cap screws DIN 912 Stainless Steel AISI 304
- Hexagon nuts DIN 985 Stainless Steel AISI 304
- Stainless Steel characteristics → Page 1144
- RoHS compliant

Accessory

- Clamping kits GN 911 / GN 911.3 → Page 1031

3

Information

GN 162.1 base plate linear actuator connectors are normally supplied **mounted** only in connection with a linear actuator and for function control.

By means of the clamping screw on the guide bore d_1 the movement can either be set or the linear actuator connector can be clamped (after setting of final adjustment).

The standard version of the clamping screw is a socket cap screw with hexagonal socket DIN 912. It can be replaced by a clamping kit GN 911 / GN 911.3 (article code see table of dimensions).

see also...

- Linear actuators GN 291 → Page 1036
- Linear actuators GN 292 → Page 1038

How to order (Aluminum)

GN 162.1-B18-2-SW

- | | |
|---|--------------------|
| 1 | d_1 |
| 2 | Identification No. |
| 3 | Finish |

How to order (Stainless Steel)

GN 162.1-G18-2-NI

- | | |
|---|--------------------|
| 1 | d_1 |
| 2 | Identification No. |
| 3 | Material |