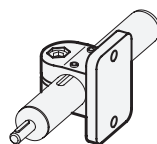
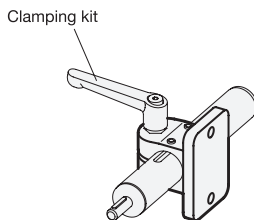
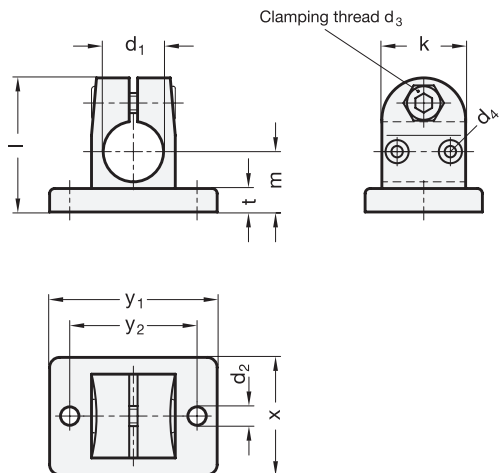




ROSTFREI
Inox
Stainless
Steel

2 Identification No.
2 with Stainless Steel-
Clamping screw DIN 912



1

d ₁		d ₂	d ₃	d ₄	k	Length l	m	t	x	y ₁	y ₂	Clamping kit for d ₃	
Bore B without slide bushing	Bore G with slide bushing		Clamping thread	Mounting screw on the follower	Clamping length							Lever Zinc die casting	Lever Stainless Steel
B 18	G 18	5,5	M 6	M 3	25	40	18	7	35	50	38	GN 911-M6-22	GN 911.3-M6-22

Specification

- Aluminium plastic coated black, RAL 9005, textured finish **● SW**
- Stainless Steel AISI CF-8 **NI**
 - matt shot-blasted
 - Bore only with slide bushing (G18)
- Guide bore mechanically machined
- Slide bushing Polyamide
- Socket cap screws DIN 912 Stainless Steel AISI 304
- Hexagon nuts DIN 985 Stainless Steel AISI 304
- Stainless Steel characteristics → Page 1144
- RoHS compliant

Accessory

- Clamping kits GN 911 / GN 911.3 → Page 1031

3

Information

GN 145.1 linear actuator connectors are normally supplied **mounted** only in connection with a linear actuator and for function control.

By means of the clamping screw on the guide bore d₁ the movement can either be set or the linear actuator connector can be clamped (after setting of final adjustment).

The standard version of the clamping screw is a socket cap screw with hexagonal socket DIN 912. It can be replaced by a clamping kit GN 911 / GN 911.3 (article code see table of dimensions).

see also...

- Linear actuators GN 291 → Page 1036
- Linear actuators GN 292 → Page 1038

How to order (Aluminum)	1 d ₁
GN 145.1-B18-2-SW	2 Identification No.
	3 Finish

How to order (Stainless Steel)	1 d ₁
GN 145.1-G18-2-NI	2 Identification No.
	3 Material