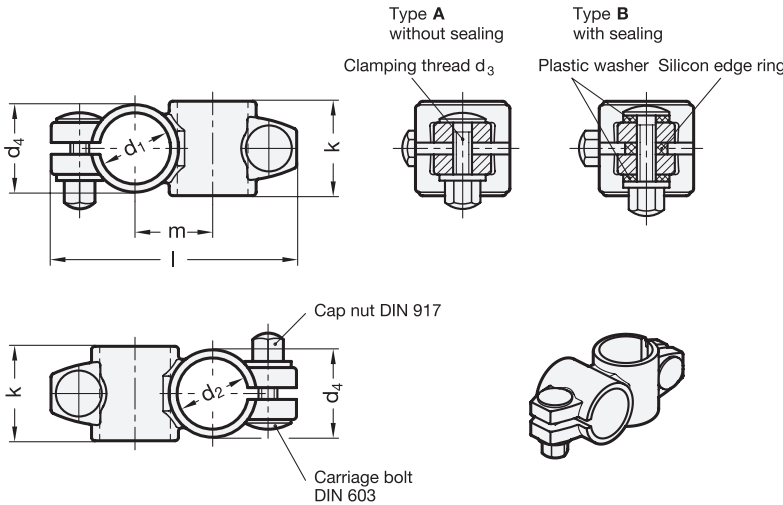




ROSTFREI  
Rost  
frei  
Inox  
Stainless  
Steel

**4 Type**

- A** without sealing
- B** with sealing



<b>1</b> $d_1$ Bore B	<b>2</b> $d_2$ Bore B	<b>3</b> $k$ Clamping length	$d_3$ Clamping thread	$d_4$	Length $l$	$m$
B 30	B 30	40	M 8	37	104	33
B 50	B 50	60	M 10	60	150	53

**Specification**

- Stainless Steel
  - AISI CF-8
  - matt shot-blasted
- Clamping bores mechanically machined
- Carriage bolt DIN 603 Stainless Steel A2
- Cap nuts DIN 917 Stainless Steel A2
- Sealings
  - Washers Plastic (Polyacetal POM)
  - Edge ring Silicon, 40 ... 60 Shore A
- *Stainless Steel characteristics* → Page XYZ
- **RoHS-konform**

**Information**

The clamping bores of GN 132.5 Stainless Steel-Two-way connector clamps are mechanically machined and designed for construction tubings GN 990 or DIN 2391, DIN 2395 and DIN 2462 respectively.

The shape of the clamping screws / nuts prevents the formation of wetness due to dammed-up water. The designs with sealing (Type B) also seals bore holes and threads.

see also...

- *Stainless Steel-Construction tubes GN 990* → Page XYZ

How to order	<b>1</b> $d_1$
	<b>2</b> $d_2$
	<b>3</b> $k$
<b>GN 132.5-B30-B30-40-A</b>	<b>4</b> Type