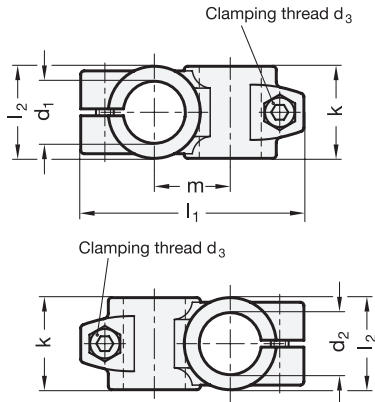
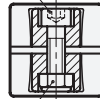


GN 132 Two-way connector clamps

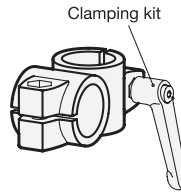
Aluminum



Clamping screw
Socket cap screw DIN 912




Hexagon nut DIN 985
self-locking (Polyamide ring)



Inch sizes available

4 Identification No.

2 with 2 Stainless Steel-Clamping screws DIN 912

1 d_1 Bore B	2 d_2 Bore B	3 k Clamping length	d_3 Clamping thread	l_1	l_2	m	Clamping kit for d_3 
B 20	B 20	40	M 8	97	40	33	GN 911-M 8-32
B 25	B 25	40	M 8	97	40	33	GN 911-M 8-32
B 30	B 30	40	M 8	97	40	33	GN 911-M 8-32
B 30	B 30	56	M 10	125	56	45	GN 911-M10-40
B 32	B 32	56	M 10	125	56	45	GN 911-M10-40
B 35	B 35	56	M 10	125	56	45	GN 911-M10-40
B 40	B 40	56	M 10	125	56	45	GN 911-M10-40
B 40	B 40	65	M 10	143	65	53	GN 911-M10-55
B 42	B 42	65	M 10	143	65	53	GN 911-M10-55
B 45	B 45	65	M 10	143	65	53	GN 911-M10-55
B 48	B 48	65	M 10	143	65	53	GN 911-M10-55
B 50	B 50	65	M 10	143	65	53	GN 911-M10-55
B 50	B 50	80	M 10	169	80	65	GN 911-M10-55
B 55	B 55	80	M 10	169	80	65	GN 911-M10-55
B 60	B 60	80	M 10	169	80	65	GN 911-M10-55

Specification

- Aluminum
 - plastic coated black, RAL 9005, textured finish **● SW**
 - blank **○ BL**
 - matt shot-blasted
- Clamping bores mechanically machined
- Socket cap screws DIN 912
Stainless Steel AISI 304
- Hexagon nuts DIN 985
Stainless Steel AISI 304
- Stainless Steel characteristics → Page 1144
- RoHS compliant

Accessory

- Clamping kits GN 911 → Page 1031

5

Information

The clamping bores of GN 132 two-way connector clamps are mechanically machined and designed for construction tubes GN 990 or DIN 2391, DIN 2395 and DIN 2462 respectively.

The standard version of the clamping screws are socket cap screws with hexagonal socket DIN 912. They can be replaced by clamping kits GN 911 (article code see table of dimensions).

see also...

- Construction tubes GN 990 → Page 1027
- Linear connectors GN 132.1 / GN 132.2 (for linear actuators) → Page 1047

How to order

1	d_1
2	d_2
3	k
4	Identification No.
5	Finish

GN 132-B30-B30-56-2-BL