



ASSEMBLY ENDS

Glass-fibre reinforced polyamide based (PA) technopolymer, black colour.

SUPPORT

Aluminium in natural colour. It can be turned by 90°C where necessary.

LEVEL COLUMN WINDOW

Polymethylmethacrylate transparent tube.

SCREWS

Zinc-plated steel with hexagon socket.

PACKING RINGS

NBR synthetic rubber O-Ring.

GRADUATED CONTRAST SCREEN

Plastic material, resistant to oils and greases. Fitted to the aluminium protection by means of an adhesive tape.

MAXIMUM CONTINUOUS WORKING TEMPERATURE

70°C (with oil or water).

TECHNICAL DATA

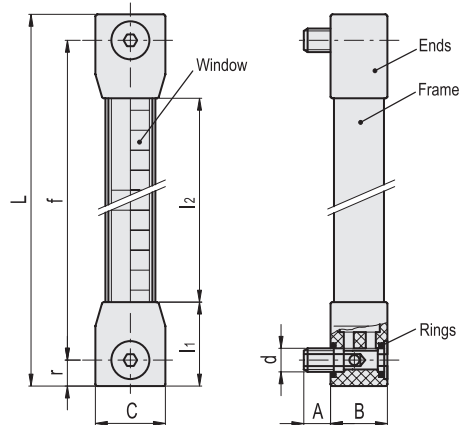
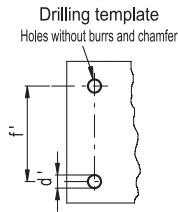
In laboratory tests carried out with mineral oil type CB68 (according to ISO 3498) at 23°C for a limited period of time, the weld stood up as follows:

- HCL.300 30 bar
- HCL.400 25 bar
- HCL.500 20 bar
- If you need to use the indicator with other oils or fluids and under different pressure and temperature conditions, please contact ELESA Technical Department. In any case we suggest to verify the suitability of the product under the actual working conditions.

SPECIAL EXECUTIONS ON REQUEST

- Column level indicators with tubes and assembly ends in different materials for the use with special fluids and/or at high temperatures.
- AISI 316 stainless steel or nickel-plated brass screws.
- Polyamide based (PA) technopolymer float, red colour to highlight the level also from a long distance.
- Column level indicators with fitting centre-holes up to 2000 mm.
- HCL-E column oil level indicators including float, minimum level signal, normally closed contacts (NC), normally open (NO) or CHANGE OVER.
- Adjustable level sensors which can be placed along the axis of the indicator, with right (DX) or left (SX) connectors, normally closed (NC), normally open (NO) or CHANGE OVER contacts.
- EPDM or FKM type VITON®* packing rings.

* Registered trademark by DuPont Dow Elastomers.



Code	Description	f	d	A	B	C	L	l1	l2	r	d ^{±0.2}	f ^{±0.2}	C# [Nm]	⚖
111211	HCL-300-M12	300	M12	13.5	28.5	35	326	42	242	13	12.5	300	15	227
111221	HCL-400-M12	400	M12	13.5	28.5	35	426	42	342	13	12.5	400	15	268
111231	HCL-500-M12	500	M12	13.5	28.5	35	526	42	442	13	12.5	500	15	306