

- 1
- 2
- 3
- 4
- 5
- 6
- 7
- 8
- 9
- 10
- 11
- 12
- 13
- 14
- 15

MATERIAL

Transparent polyamide based (PA-T) technopolymer. Highly resistant to shocks, solvents, oils with additives, aliphatic and aromatic hydrocarbons, petrol, naphtha, phosphoric esters. Avoid contact with alcohol or detergents containing alcohol.

SCREWS

Glass-fibre reinforced SUPER-polyamide based (PA) technopolymer.

NUTS AND WASHERS

AISI 304 stainless steel.

PACKING RINGS

NBR synthetic rubber (on request FKM) O-Ring. Roughness of the packing ring application surface Ra = 3 µm.

CONTRAST SCREEN

White lacquered aluminium. The housing, in the appropriate external rear slot, guarantees the best protection from direct contact with fluid. It can be taken out from the inclined side, before assembly to allow the insertion of level lines or words.

STANDARD EXECUTIONS

- HCX-VT: without thermometer.
- HCX/T-VT: with incorporated thermometer.

MAXIMUM CONTINUOUS WORKING TEMPERATURE

90°C (with oil).

FEATURES AND PERFORMANCES

Thanks to the SUPER-technopolymer screws, HCX/VT column level indicator can be used in corrosion resistance applications where stainless steel is not necessary.

The special slotted head of the SUPER-technopolymer screws is especially designed to reach an optimum tightening of the packing rings by applying an adequate tightening torque (ELESA patent) thus avoiding unnecessary stress to the screws.

Maximum fluid level visibility even from side positions. Lens effect for a better visibility of the fluid level and temperature.

TECHNICAL DATA

In laboratory tests carried out with mineral oil type CB68 (according to ISO 3498) at 23°C for a limited period of time, the weld stood up to: 18 bar (HCX.127-VT) 12 bar (HCX.254-VT).

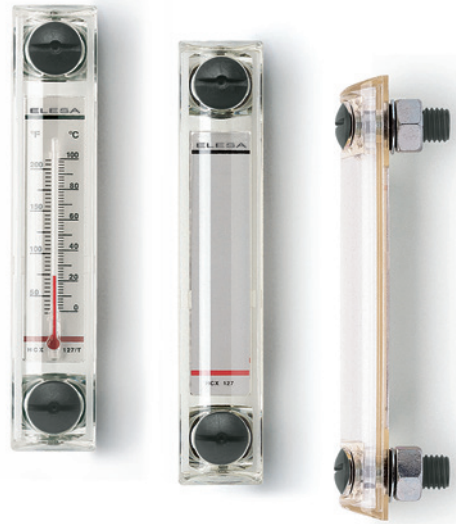
Considering the SUPER-technopolymer screws, the maximum working pressure cannot be higher than 5 bar at 20°C and 2 bar at 90°C.

For use with other fluids and under different pressure and temperature conditions, please contact ELESA Technical Department.

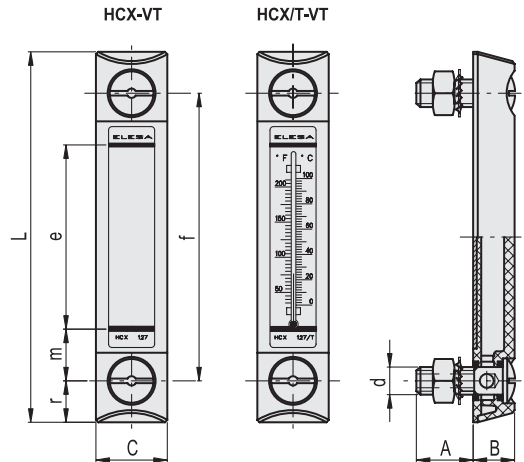
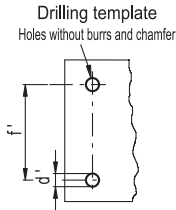
In any case we suggest to verify the suitability of the product under the actual working conditions.

SPECIAL EXECUTIONS ON REQUEST

- Level indicators with with SUPER-technopolymer protection frame.
- UV resistant transparent technopolymer indicators.
- Indicators with two red ball-shaped floats (only for the execution without thermometer).
- Indicators with cylindrical or step-shaped (NBR or FKM) packing rings (instead of OR) for mounting on reservoirs having rough surfaces or in any case not perfectly flat.



ELESA Original design



Code	Description	f	d	A	B	C	L	e	m	r	d'-0.2	f±0.2	Thermometer scale°C	Thermometer scale°F	C# [Nm]	△
111351	HCX.127-VT-M12	127	M12	23	18	31	161	80	23	17	12.5	127	-	-	6	94
111361	HCX.127/T-VT-M12	127	M12	23	18	31	161	80	23	17	12.5	127	0+100	32+210	6	94
111371	HCX.254-VT-M12	254	M12	21	18	35	291	203	26	18.5	12.5	254	-	-	6	141
111381	HCX.254/T-VT-M12	254	M12	21	18	35	291	203	26	18.5	12.5	254	0+100	32+210	6	141