

HCX-AR | Column level indicators

for use with fluids containing alcohol, technopolymer



- 1
- 2
- 3
- 4
- 5
- 6
- 7
- 8
- 9
- 10
- 11
- 12
- 13
- 14
- 15
- RH

MATERIAL

Transparent polyamide based (PA-T/AR) technopolymer. Highly resistant to shocks, solvents, oils with additives, aliphatic and aromatic hydrocarbons, petrol, naphtha, phosphoric esters, additives and detergents containing alcohol.

SCREWS, NUTS AND WASHERS

Zinc-plated steel.

PACKING RINGS

NBR synthetic rubber O-Ring.
Roughness of the packing ring application surface Ra = 3 µm.

CONTRAST SCREEN

White lacquered aluminium. The housing, in the appropriate external rear slot, guarantees the best protection from direct contact with fluid. It can be taken out from the inclined side, before assembly to allow the insertion of level lines or words.

STANDARD EXECUTIONS

- **HCX-AR**: without thermometer.
- **HCX/T-AR**: with incorporated thermometer.

MOUNTING

When fitting is not possible from the inside of the reservoir and the walls are not thick enough, the screws can be used together with Fast Mounting Kit (see page 1221)

MAXIMUM CONTINUOUS WORKING TEMPERATURE

80°C.

FEATURES AND PERFORMANCES

Ultrasound welding to guarantee a perfect seal.
Maximum fluid level visibility even from side positions
Lens effect for a better visibility of the fluid level and temperature.

TECHNICAL DATA

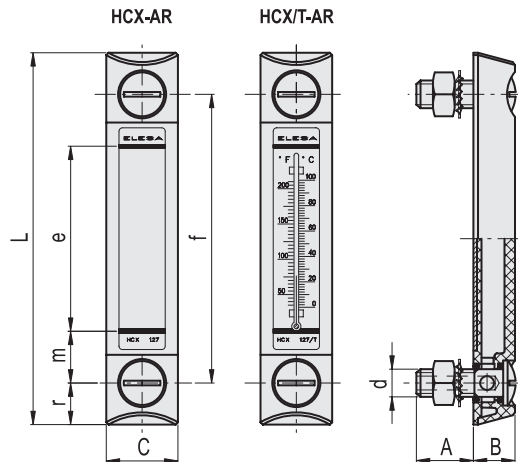
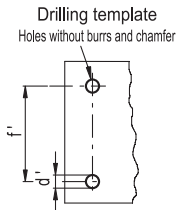
In laboratory tests carried out with mineral oil type CB68 (according to ISO 3498) at 23°C for a limited period of time, the weld stood up to: 13 bar (HCX.76-AR and HCX.127-AR) 10 bar (HCX.254-AR).
For use with other fluids and under different pressure and temperature conditions, please contact ELESA Technical Department.
In any case we suggest to verify the suitability of the product under the actual working conditions.

SPECIAL EXECUTIONS ON REQUEST

- Level indicators with with SUPER-technopolymer protection frame.
- Indicators with two red ball-shaped floats (only for the execution without thermometer).
- Indicators with cylindrical or step-shaped (NBR or FKM) packing rings (instead of OR) for mounting on reservoirs having rough surfaces or in any case not perfectly flat.



ELESA Original design



Code	Description	f	d	A	B	C	L	e	m	r	d' ± 0.2	f ± 0.2	Thermometer scale °C	Thermometer scale °F	C# [Nm]	
11342	HCX.76-AR-M10	76	M10	22	16	27	107	40	18	15.5	10.5	76	-	-	8	87
11347	HCX.76/T-AR-M10	76	M10	22	16	27	107	40	18	15.5	10.5	76	20+100	68+210	8	87
11352	HCX.127-AR-M12	127	M12	23	18	31	161	80	23	17	12.5	127	-	-	8	138
11357	HCX.127/T-AR-M12	127	M12	23	18	31	161	80	23	17	12.5	127	0+100	32+210	8	138
11362	HCX.254-AR-M12	254	M12	21	18	35	291	203	26	18.5	12.5	254	-	-	8	185
11367	HCX.254/T-AR-M12	254	M12	21	18	35	291	203	26	18.5	12.5	254	0+100	32+210	8	185