



MATERIAL

Polyamide based (PA) technopolymer, black colour, glossy finish.

PRISMATIC WINDOW

Transparent sulphonic based technopolymer. The window consists of a continuous series of prisms which provide a clear and immediate reading of the level of the oil contained in the reservoir.

PACKING RING

FKM type VITON®*.

MAXIMUM CONTINUOUS WORKING TEMPERATURE

140°C at 7 bar pressure.

* Registered trademark by DuPont Dow Elastomers.

NOTE

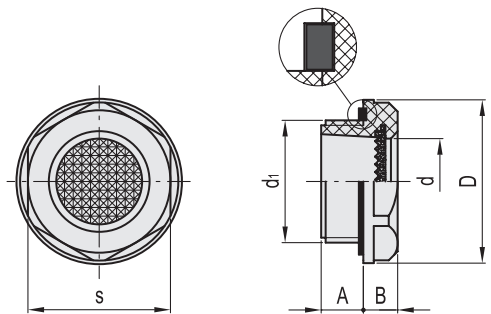
For use with other fluids with special additives, please contact ELESA Sales Department.

ACCESSORIES ON REQUEST

Brass nut type GH. (see page 1201) for fitting to reservoirs with wall thickness smaller than 5 mm.



ELESA Original design



Code	Description	d1	A	B	D	d	s	Tightening torque [Nm]	Tightening
14463	HGFT.13/HT-PR-1/2	G1/2	10	8.5	28	14.5	24	6÷8	5
14483	HGFT.16/HT-PR-3/4	G3/4	9.5	8.5	35	18	32	8÷10	9
14523	HGFT.21/HT-PR-1	G1	11	9.5	42.5	23	38	10÷12	14

