

- 1
- 2
- 3
- 4
- 5
- 6
- 7
- 8
- 9
- 10
- 11
- 12
- 13
- 14
- 15
- RH



MATERIAL

Polyamide based (PA) technopolymer, black colour, glossy finish.

PRISMATIC WINDOW

Transparent polyamide based (PA-T/AR) technopolymer. The window consists of a continuous series of prisms which provide a clear and immediate reading of the level of the oil contained in the reservoir.

PACKING RING

NBR synthetic rubber.

MAXIMUM CONTINUOUS WORKING TEMPERATURE

100°C at 3 bar pressure.

NOTE

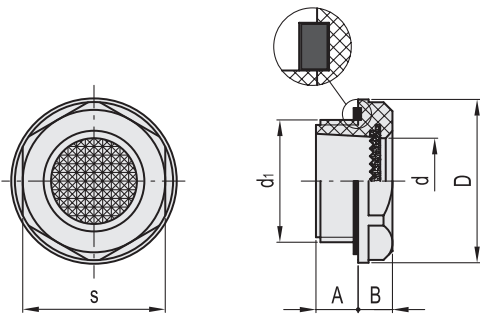
For use with other fluids with special additives, please contact ELESA Sales Department.

ACCESSORIES ON REQUEST

Brass nut type GH. (see page 1201) for fitting to reservoirs with wall thickness smaller than 5 mm.



ELESA Original design



Code	Description	d1	A	B	D	d	s	Tightening torque [Nm]	
14462	HGFT.13/PR-1/2-C9	G1/2	10	8.5	28	14.5	24	6+8	5
14482	HGFT.16/PR-3/4-C9	G3/4	9.5	8.5	35	18	32	8+10	9
14522	HGFT.21/PR-1-C9	G1	11	9.5	42.5	23	38	10+12	14
14542	HGFT.25/PR-1¼-C9	G1 1/4	11	9	50	30	46	12+15	30