

- 1 
 - 2 
 - 3 
 - 4 
 - 5 
 - 6 
 - 7 
 - 8 
 - 9 
 - 10 
 - 11 
 - 12 
 - 13 
 - 14 
 - 15 
- RH 

MATERIAL

- Mount: polyamide based (PA) technopolymer with NBR synthetic rubber packing ring.
- Flange: glass-fibre reinforced polyamide based (PA) technopolymer, threaded connector with flat gasket in cork impregnated MGS based rubber
- Basket: polypropylene based (PP) technopolymer.

COLOUR

Black, matte finish.

MOUNTING

Flange and basket are fitted to the mount by means of six zinc-plated steel self-tapping screws TC-N10 (Ø 4.8x19) UNI 6951-DIN 7971, supplied.

The mount is fitted to the reservoir by means of seven M6 screws and relative washers (not supplied).

Maximum recommended tightening torque: 8 Nm.

NOTE

The breather cap to be coupled to the flange is not included in the supply and has to be ordered separately.

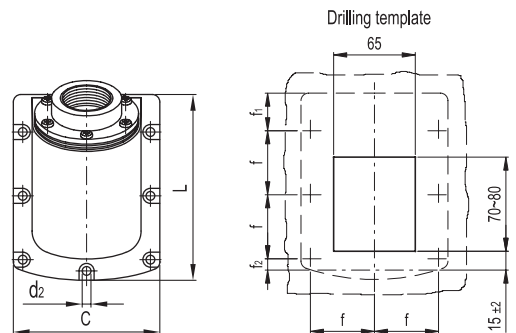
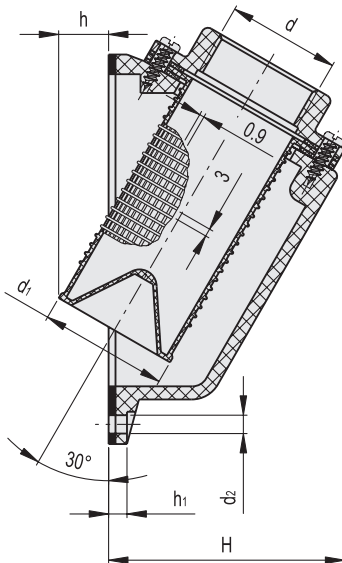
Depending on the customer's requirements, can be used breather caps type SFN. (see page 1162), SFP. (see page 1166), SFW. (see page 1176).


SPECIAL EXECUTIONS ON REQUEST

Mount with threaded flange without basket (PLRF).



ELESA Original design 



Code	Description	d	L	C	H	d1	d2	h	h1	f	f1	f2	
49411	PLRF+C	G 1/4	148.5	117	92	49	7	18	7	51	30	9	335