

- 1
- 2
- 3
- 4
- 5
- 6
- 7
- 8
- 9
- 10
- 11
- 12
- 13
- 14
- 15
- RH

MATERIAL

- Cover: steel sheet, with chrome plating superficial treatment.
- Flange: zinc-plated steel sheet.
- Threaded connector: zinc-plated steel.

PACKING RING

NBR synthetic rubber.

OVERPRESSURE VALVE (ONLY FOR SMW.)

Technopolymer with NBR synthetic rubber O-ring and stainless steel spring.
Set at around 0.350 bar (0.700 bar on request).

SUCTION VALVE (ONLY FOR SMW.)

Technopolymer sealing disk with NBR synthetic rubber O-ring and stainless steel spring.
Set at around 0.030 bar.

RING-SHAPED AIR FILTER

Tech-foam 40 µ.

FILTER SETTING SPRING (ONLY FOR SMN.)

Zinc-plated steel.

STANDARD EXECUTIONS

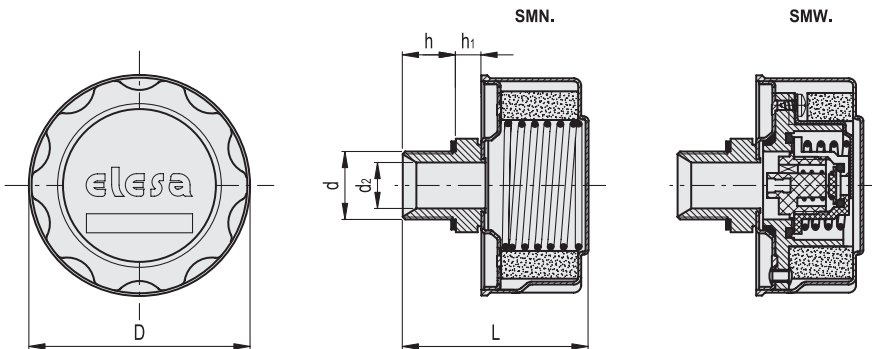
- **SMN.:** breather cap.
- **SMW.:** double-valve breather cap.

MAXIMUM CONTINUOUS WORKING TEMPERATURE

100°C.

SPECIAL EXECUTIONS ON REQUEST

With dipstick for fluid level indication (only for SMW.).



SMN.

Code	Description	d	D	L	d2	h	h1	△
156833	SMN.46-1/4-F40	G 1/4	47	51	7	10	5	57
156883	SMN.80-3/4-F40	G 3/4	81	70	17	16	12	239

SMW.

Code	Description	d	D	L	d2	h	h1	△
156983	SMW.80-3/4-F40-350mb	G 3/4	81	70	17	16	12	308

FEATURES AND APPLICATIONS

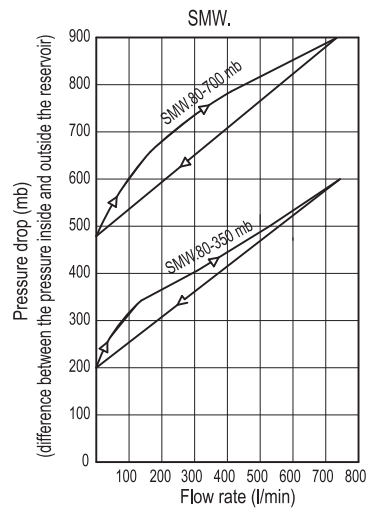
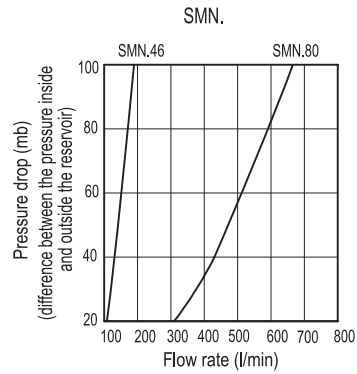
Double-valve breather cap SMW. creates a pressure plenum chamber right above the oil level within given limit conditions in order to avoid any reservoir deformation.

Advantages:

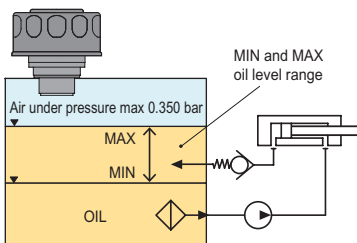
- it reduces reservoir air volume intake keeping clean fluid and filter;
- it improves suction pump action under working conditions reducing cavitation phenomenon;
- it prevents fluid leakage when the system is part of a mobile unit;
- it reduces foam in fluid.

TECHNICAL DATA

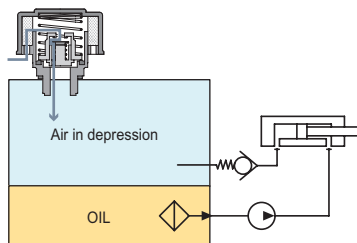
Air flow rate for each model can be determined from the graph calculating the difference between the pressure inside and outside the reservoir.



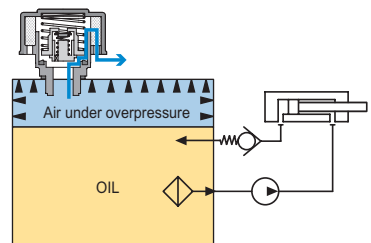
SMW. pressurised breather cap functioning in a hydraulic circuit



Normal working conditions



When in the reservoir a depression around 0.030 bar is produced, a flux of air entering the reservoir through the suction valve takes place.



When in the reservoir an over pressure exceeding 0.350 (or 0.700) bar is produced, a flux of air is discharged through the safety valve.

- 1
- 2
- 3
- 4
- 5
- 6
- 7
- 8
- 9
- 10
- 11
- 12
- 13
- 14
- 15

Accessories for hydraulics