

- 1
- 2
- 3
- 4
- 5
- 6
- 7
- 8
- 9
- 10
- 11
- 12
- 13**
- 14
- 15
- RH

MATERIAL

Polyamide based (PA) technopolymer.
 - Cover: RAL 2004 orange, semi-matte finish, marked "OIL".
 - Threaded connector: black colour, semi-matte finish.

MOUNTING

Push-fit on pipes with max outside diameter of 39 mm and min inside diameter of 32 mm.

CLIP

Black-oxide steel.

RING-SHAPED AIR FILTER

"Tech-foam" polyurethane foam mesh (polyester base), air filtration 40 µ.

MAXIMUM CONTINUOUS WORKING TEMPERATURE

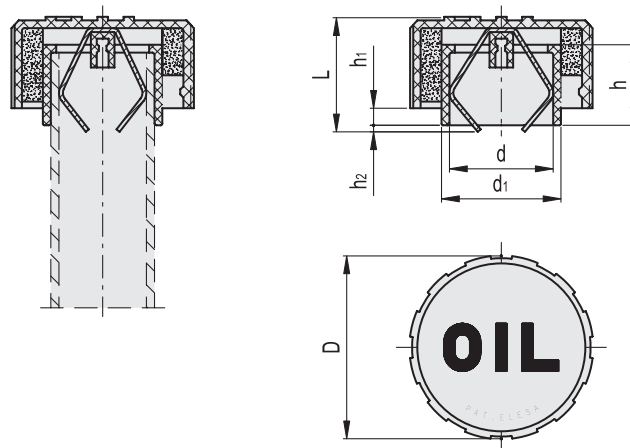
100°C.

SPECIAL EXECUTIONS ON REQUEST

- Cover, RAL 2004 orange, without "OIL" mark.
 - Black cover with or without "OIL" mark.



ELESA Original design



Code	Description	d	D	L	d1	h	h1	h2	
54761	SFN.70-PF+F	39.5	70	43	45.5	27.5	2.5	6.5	67