

- 1
- 2
- 3
- 4
- 5
- 6
- 7
- 8
- 9
- 10
- 11
- 12
- 13
- 14
- 15
- RH

**MATERIAL**

Polyamide based (PA) technopolymer.  
 - Cover: RAL 2004 orange, semi-matte finish, marked "OIL".  
 - Threaded connector: black colour, semi-matte finish.

**PACKING RING**

NBR synthetic rubber.

**STANDARD EXECUTIONS**

- **SFN.**: without air filter.  
 - **SFN+F**: with "tech-foam" air filter in polyurethane foam mesh (polyester base), air filtration 40 µ.  
 - **SFN.70-BA+F**: with "tech-foam" air filter in polyurethane foam mesh (polyester base), air filtration 40 µ.  
 Zinc-plated steel sheet bayonet.  
 Chrome-plated steel safety chain.

**MAXIMUM CONTINUOUS WORKING TEMPERATURE**

100°C.

**FEATURES AND APPLICATIONS**

SFN. breather caps, owing to their high air flow rate, are particularly suitable for use on hydraulic power packs or tanks subject to rapid changes in liquid volume.

**TECHNICAL DATA**

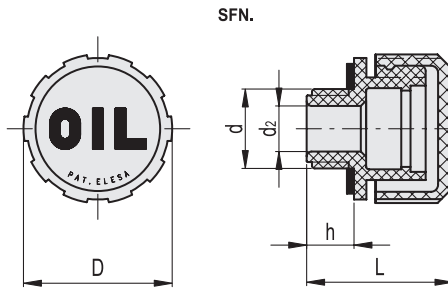
Air flow rate for each model can be determined from the graph calculating the difference between the pressure inside and outside the reservoir.

**SPECIAL EXECUTIONS ON REQUEST**

- Cover, RAL 2004 orange, without "OIL" mark.  
 - Black cover with or without "OIL" mark.  
 - Threaded connector also with NPT thread (National Pipe Taper Thread - ANSI-ASME B1-20) for the codes marked with # in the table.



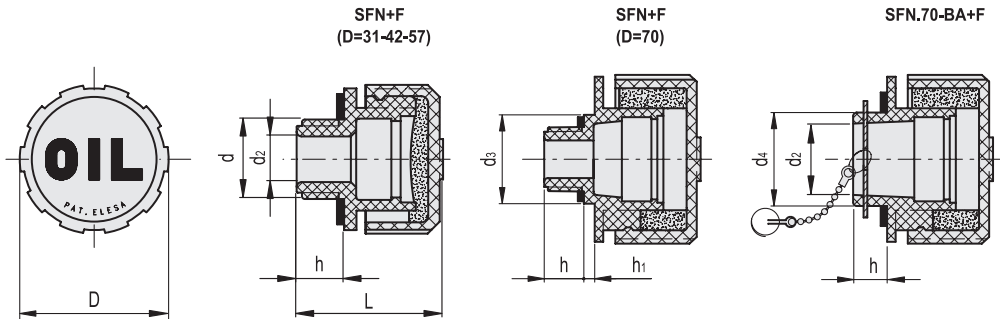
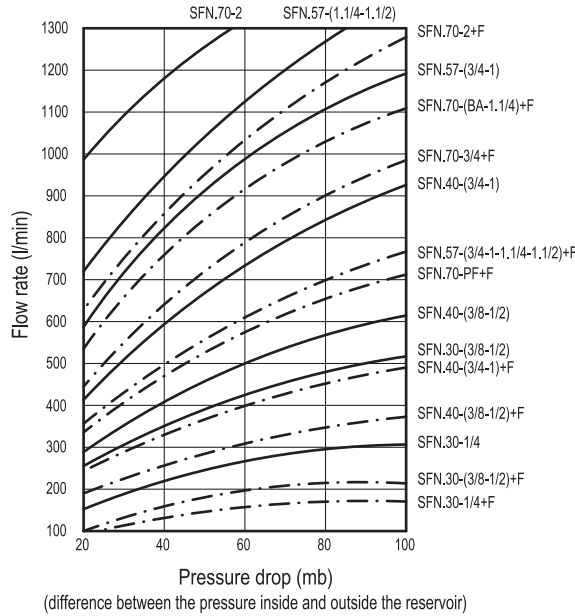
ELESA Original design



**SFN.**

Code	Description	d	D	L	d2	h	⚖
56151	SFN.30-1/4#	G 1/4	31	29.5	8	9.5	10
53901	SFN.30-3/8	G 3/8	31	29.5	10	9.5	10
53911	SFN.30-1/2	G 1/2	31	29.5	12	9.5	11
56181	SFN.40-3/8#	G 3/8	42	36.5	10	11.5	20
56201	SFN.40-1/2#	G 1/2	42	36.5	12	11.5	21
53921	SFN.40-3/4#	G 3/4	42	36.5	17	11.5	20
53931	SFN.40-1	G 1	42	36.5	18	11.5	20
56241	SFN.57-3/4#	G 3/4	57	42	18	14	38
56261	SFN.57-1	G 1	57	42	23	14	40
53932	SFN.57-1¼	G1 1/4	57	44	32	16	41
53933	SFN.57-1½	G1 1/2	57	44	32	16	40
56381	SFN.70-2	G 2	70	59	23	17	79

Accessories for hydraulics



**SFN+F**

Code	Description	d	D	L	d2	d3	h	h1	△
56156	SFN.30-1/4+F#	G 1/4	31	29.5	8	-	9.5	-	10
56161	SFN.30-3/8+F	G 3/8	31	29.5	10	-	9.5	-	10
56171	SFN.30-1/2+F	G 1/2	31	29.5	12	-	9.5	-	11
56191	SFN.40-3/8+F#	G 3/8	42	36.5	10	-	11.5	-	19
56211	SFN.40-1/2+F#	G 1/2	42	36.5	12	-	11.5	-	20
56221	SFN.40-3/4+F#	G 3/4	42	36.5	17	-	11.5	-	20
56231	SFN.40-1+F	G 1	42	36.5	18	-	11.5	-	21
56251	SFN.57-3/4+F#	G 3/4	57	42	18	-	14	-	37
56271	SFN.57-1+F	G 1	57	42	23	-	14	-	38
56281	SFN.57-1¼+F	G 1 1/4	57	44	32	-	16	-	39
56291	SFN.57-1½+F	G 1 1/2	57	44	32	-	16	-	40
54701	SFN.70-3/4+F#	G 3/4	70	63	16	35	15	6	76
54711	SFN.70-1¼+F	G 1 1/4	70	59	23	-	17	-	77
56391	SFN.70-2+F	G 2	70	59	23	-	17	-	82

**SFN.70-BA+F**

Code	Description	D	L	d2	d4	h	△
54731	SFN.70-BA+F	70	56	30	39	14	85

# Types available on request with NPT thread (National Pipe Taper Thread - ANSI-ASME B1-20).

