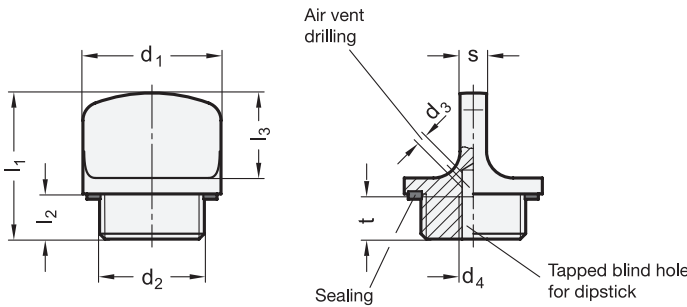




Inch sizes available

3 Identification no.

- 1 without vent hole
- 2 with vent hole



1 d ₁	2 d ₂		d ₃ Vent hole	d ₄	l ₁ ±0,5	l ₂	l ₃	s	t min.
22	G 3/8	M 16 x 1,5	2	M 5	26	8	15	5	8
26	G 1/2	M 20 x 1,5	2	M 5	27,5	8,5	16	5	8
32	G 3/4	M 26 x 1,5	2	M 5	29	9	17	6	8
40	G 1	-	2	M 5	32,5	11	18	7	8

Specification

- Aluminum
 - plastic coated
 - black, RAL 9005, textured finish
 - blank
 - tumbled
- **GN 441**
 - temperature resistant up to 100 °C
 - Sealing ring rubber NBR (Perbunan)
- **GN 442**
 - temperature resistant up to 200 °C
 - Sealing ring rubber FPM (Viton®)
 - Identification by not black finish of the seal
- *Elastomer characteristics* → Page XYZ
- **RoHS compliant**



On request

- Threaded plugs with dipstick

Information

Threaded plugs GN 441 / GN 442 with the external diameter d₁ match the screw-in holes for DIN 3852 pipe bolt connections.

The sealing ring is embedded in a radial recess on the plane side, which makes the sealing ring captive and cannot be squeezed out during tightening. The sealing is also relatively soft, enhancing the sealing effect also on uneven surfaces.

see also...

- *Plugs GN 741 / GN 742 (Aluminum, with hexagon)* → Page 1114
- *Plugs GN 548.1 (Plastic)* → Page 1120

How to order (100 °C)	1 d ₁
	2 d ₂
GN 441-22-M16x1,5-1-BL	3 Identification no.
	4 Finish

How to order (200 °C)	1 d ₁
	2 d ₂
GN 442-40-G1-1-SW	3 Identification no.
	4 Finish