

T.440+a | Plugs

with flat dipstick, technopolymer



MATERIAL

Polyamide based (PA) technopolymer, black colour, matte finish.

PACKING RING

NBR synthetic rubber.

FLAT DIPSTICK

Flat section phosphatised steel.

On request and for sufficient quantities dipstick can be supplied in different lengths and/or complete with MAX-MIN level lines.

MAXIMUM CONTINUOUS WORKING TEMPERATURE

100°C.

SPECIAL EXECUTIONS ON REQUEST

Words, marks and graphic symbols can be tampprinted on the cap.

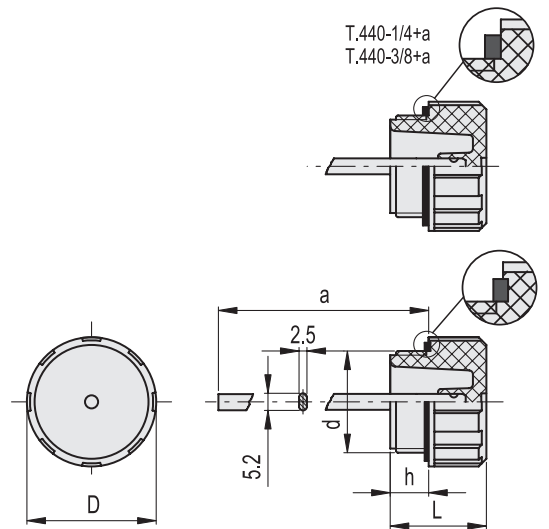


Accessories for hydraulics

1160



ELESA Original design



Code	Description	d	h	D	L	a	△
157211	T.440-1/4+a	G 1/4	9	20.5	19	192	30
157221	T.440-3/8+a	G 3/8	9	25	21	192	32
157231	T.440-1/2+a	G 1/2	11	28.5	25	189	42
157241	T.440-3/4+a	G 3/4	12	34.5	27	188	50
157251	T.440-1+a	G 1	13	42.5	28.5	188	56
157261	T.440-1 1/4+a	G1 1/4	13	52	32	185	72
157271	T.440-1 1/2+a	G1 1/2	13	57.5	34	185	83