

TPC+a | Oil fill plugs

with flat dipstick push-fit, technopolymer



MATERIAL

High-resilience polypropylene based (PP) technopolymer, black colour, matte finish.

PACKING RINGS

Two NBR synthetic rubber O-rings.

FLAT DIPSTICK

Flat section phosphatised steel.

On request and for sufficient quantities dipstick can be supplied in different lengths and/or complete with MAX-MIN level lines.

STANDARD EXECUTIONS

- **TPC+a**: without side hole.
- **TPCF+a**: with side breather hole.

MAXIMUM CONTINUOUS WORKING TEMPERATURE

100°C.

GRAPHIC SYMBOL "FILL"

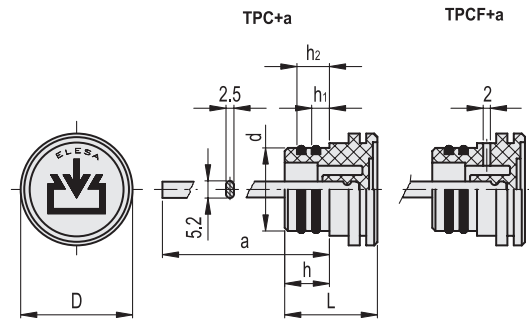
According to DIN regulations.



ELESA Original design

- 1
- 2
- 3
- 4
- 5
- 6
- 7
- 8
- 9
- 10
- 11
- 12
- 13
- 14
- 15
- RH

Accessories for hydraulics



TPC+a

Code	Description	d+0.2	h	D	L	h1	h2	a	⚖️
59865	TPC.20+a	20	14	30	29	6.5	10.5	188	27
59885	TPC.26+a	26	14	35	29.5	6.5	10.5	188	35

TPCF+a

Code	Description	d+0.2	h	D	L	h1	h2	a	⚖️
59905	TPCF.20+a	20	14	30	29	6.5	10.5	188	27
59925	TPCF.26+a	26	14	35	29.5	6.5	10.5	188	35