

# TPC. | Oil fill plugs

push-fit, technopolymer



- 1
- 2
- 3
- 4
- 5
- 6
- 7
- 8
- 9
- 10
- 11
- 12
- 13
- 14
- 15
- RH

**MATERIAL**  
High-resilience polypropylene based (PP) technopolymer, black colour, matte finish.

**PACKING RINGS**  
Two NBR synthetic rubber O-rings.

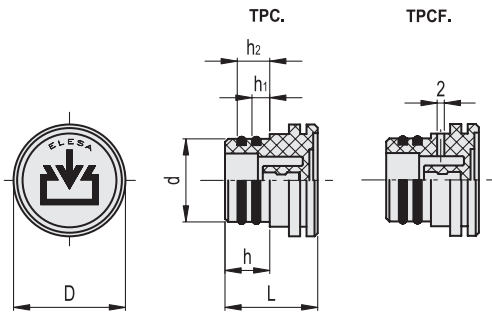
**STANDARD EXECUTIONS**  
- **TPC.**: without side hole.  
- **TPCF.**: with side breather hole.

**MAXIMUM CONTINUOUS WORKING TEMPERATURE**  
100°C.

**GRAPHIC SYMBOL "FILL"**  
According to DIN regulations.



ELESA Original design



**TPC.**

Code	Description	d+0.2	h	D	L	h1	h2	⚖
59861	TPC.20	20	14	30	29	6.5	10.5	8
59881	TPC.26	26	14	35	29.5	6.5	10.5	15

**TPCF.**

Code	Description	d+0.2	h	D	L	h1	h2	⚖
59901	TPCF.20	20	14	30	29	6.5	10.5	8
59921	TPCF.26	26	14	35	29.5	6.5	10.5	15