

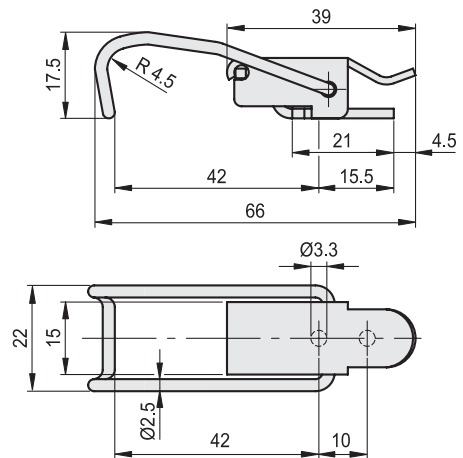
TLP. | Adjustable hook clamps

Steel



MATERIAL
Zinc-plated steel.

SPECIAL EXECUTIONS ON REQUEST
Hook clamps in AISI 304 stainless steel.



Code	Description	Max. working load [N]	Load at breakage [N]	
420181	TLP.Z-22/67	400	700	23

- 1
- 2
- 3
- 4
- 5
- 6
- 7
- 8
- 9
- 10
- 11
- 12
- 13
- 14
- 15
- RH
-

Latches