

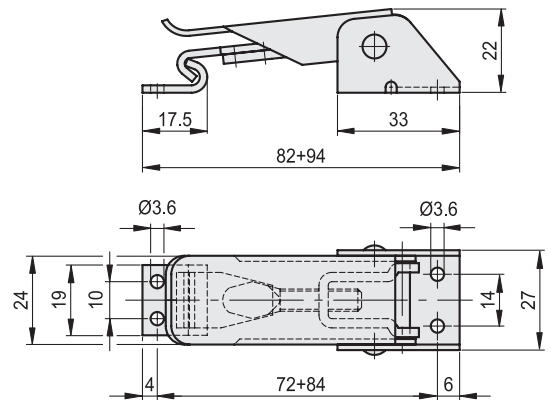
TLN. | Adjustable hook clamp

Steel



LEVER BODY AND CATCH BRACKET MATERIAL
Zinc-plated steel.

SPECIAL EXECUTIONS ON REQUEST
Adjustable hook clamps with padlock holes.



Code	Description	Max. working load [N]	Load at breakage [N]	
420161	TLN.Z-14/72-84+R	1000	2000	74

- 1
- 2
- 3
- 4
- 5
- 6
- 7
- 8
- 9
- 10
- 11
- 12
- 13
- 14
- 15
- RH
-