

TLI. Hook clamps

Steel or stainless steel

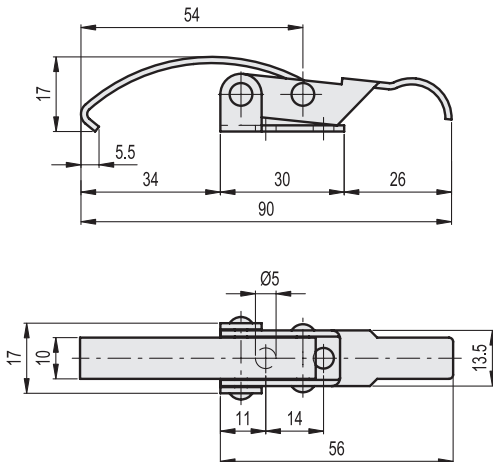


STANDARD EXECUTIONS

- **TLI.Z:** zinc-plated steel.
- **TLI.SST:** AISI 304 stainless steel.

SPECIAL EXECUTIONS ON REQUEST

Hook clamps in unplated steel or nickel-plated steel.



TLI.Z

Code	Description	Max. working load [N]	Load at breakage [N]	⚖️
420131	TLI.Z-13.5/90	500	900	28



TLI.SST

420132	TLI.SST-13.5/90	500	900	28
--------	-----------------	-----	-----	----

