

- 1
- 2
- 3
- 4
- 5
- 6
- 7
- 8
- 9
- 10
- 11
- 12
- 13
- 14
- 15
- RH
-

STANDARD EXECUTIONS

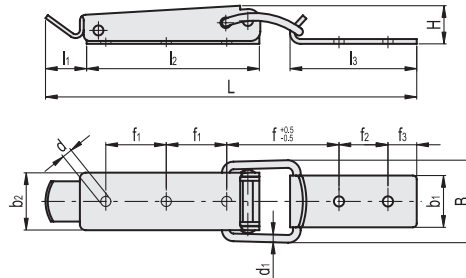
- **TLA**: basic hook clamp.
 - **TLAL**: hook clamp with padlock hole.
 - **TLAS**: hook clamp with security stop and technopolymer push button in RAL 3000 red colour or with stainless steel spring.
- Indexes for materials and treatments to add to the above-mentioned standard executions:
- **Z**: lever body and bracket in zinc-plated steel.
 - **SST**: lever body and bracket in AISI 304 stainless steel.
 - **NH**: lever body and bracket in nickel-plated steel.

SPECIAL EXECUTIONS ON REQUEST

- Hook clamps in unplated steel.
- Catch brackets in different shapes and finishes.



TLA
TLA.SST



TLA.Z

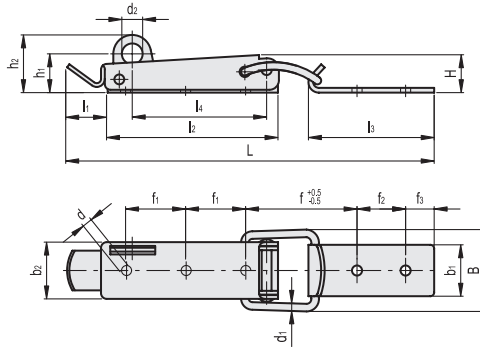
| Code | Description | b2 | L | B | H | d | d1 | b1 | l1 | l2 | l3 | f | f1 | f2 | f3 | Max. working load [N] | Load at breakage [N] | ⚖️ |
|--------|------------------|------|-------|----|------|-----|----|----|------|----|----|------|------|------|----|-----------------------|----------------------|-----|
| 420081 | TLA.Z-16.4/102+R | 16.4 | 102 | 23 | 11 | 3.2 | 2 | 13 | 16 | 44 | 30 | 34.5 | 12.5 | 12 | 5 | 550 | 1200 | 31 |
| 420061 | TLA.Z-23/140.5+R | 23 | 140.5 | 34 | 12.5 | 4.1 | 3 | 19 | 16 | 70 | 43 | 38 | 22.5 | 20 | 8 | 1500 | 3000 | 78 |
| 420051 | TLA.Z-30/193.5+R | 30 | 193.5 | 43 | 19 | 5.3 | 4 | 27 | 21.5 | 90 | 66 | 58.5 | 31.5 | 25.5 | 15 | 2000 | 4000 | 188 |

TLA.SST



| Code | Description | b2 | L | B | H | d | d1 | b1 | l1 | l2 | l3 | f | f1 | f2 | f3 | Max. working load [N] | Load at breakage [N] | ⚖️ |
|--------|--------------------|------|-------|----|------|-----|----|----|------|----|----|------|------|------|----|-----------------------|----------------------|-----|
| 420082 | TLA.SST-16.4/102+R | 16.4 | 102 | 23 | 11 | 3.2 | 2 | 13 | 16 | 44 | 30 | 34.5 | 12.5 | 12 | 5 | 550 | 1200 | 31 |
| 420062 | TLA.SST-23/140.5+R | 23 | 140.5 | 34 | 12.5 | 4.1 | 3 | 19 | 16 | 70 | 43 | 38 | 22.5 | 20 | 8 | 1500 | 3000 | 78 |
| 420052 | TLA.SST-30/193.5+R | 30 | 193.5 | 43 | 19 | 5.3 | 4 | 27 | 21.5 | 90 | 66 | 58.5 | 31.5 | 25.5 | 15 | 2000 | 4000 | 188 |

TLAL
TLAL.SST



TLAL.Z

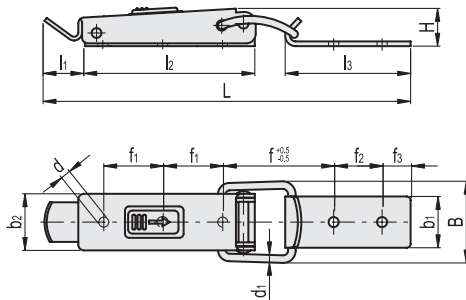
| Code | Description | b2 | L | B | H | d | d1 | d2 | b1 | l1 | l2 | l3 | l4 | f | f1 | f2 | f3 | h1 | h2 | Max. working load [N] | Load at breakage [N] | ⚖️ |
|--------|-------------------|------|-------|----|------|-----|----|----|----|------|----|----|------|------|------|------|----|------|------|-----------------------|----------------------|-----|
| 420085 | TLAL.Z-16.4/102+R | 16.4 | 102 | 23 | 11 | 3.2 | 2 | 4 | 13 | 16 | 44 | 30 | 34.5 | 34.5 | 12.5 | 12 | 5 | 11.5 | 15.5 | 550 | 1200 | 32 |
| 420063 | TLAL.Z-23/140.5+R | 23 | 140.5 | 34 | 12.5 | 4.1 | 3 | 7 | 19 | 16 | 70 | 43 | 55 | 38 | 22.5 | 20 | 8 | 13 | 20 | 1500 | 3000 | 79 |
| 420053 | TLAL.Z-30/193.5+R | 30 | 193.5 | 43 | 19 | 5.3 | 4 | 11 | 27 | 21.5 | 90 | 66 | 71 | 58.5 | 31.5 | 25.5 | 15 | 20.5 | 30.5 | 2000 | 4000 | 189 |

TLAL.SST

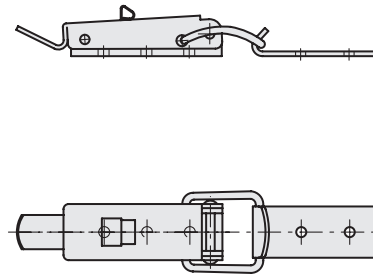


| Code | Description | b2 | L | B | H | d | d1 | d2 | b1 | l1 | l2 | l3 | l4 | f | f1 | f2 | f3 | h1 | h2 | Max. working load [N] | Load at breakage [N] | ⚖️ |
|--------|---------------------|------|-------|----|------|-----|----|----|----|------|----|----|------|------|------|------|----|------|------|-----------------------|----------------------|-----|
| 420086 | TLAL.SST-16.4/102+R | 16.4 | 102 | 23 | 11 | 3.2 | 2 | 4 | 13 | 16 | 44 | 30 | 34.5 | 34.5 | 12.5 | 12 | 5 | 11.5 | 15.5 | 550 | 1200 | 32 |
| 420064 | TLAL.SST-23/140.5+R | 23 | 140.5 | 34 | 12.5 | 4.1 | 3 | 7 | 19 | 16 | 70 | 43 | 55 | 38 | 22.5 | 20 | 8 | 13 | 20 | 1500 | 3000 | 79 |
| 420054 | TLAL.SST-30/193.5+R | 30 | 193.5 | 43 | 19 | 5.3 | 4 | 11 | 27 | 21.5 | 90 | 66 | 71 | 58.5 | 31.5 | 25.5 | 15 | 20.5 | 30.5 | 2000 | 4000 | 189 |

TLAS.NH-30/193.5+R
TLAS.SST-30/193.5+R



TLAS.Z-16.4/102+R
TLAS.SST-16.4/102+R



TLAS.

| Code | Description | b2 | L | B | H | d | d1 | b1 | l1 | l2 | l3 | f | f1 | f2 | f3 | Max. working load [N] | Load at breakage [N] | ⚖️ |
|--------|--------------------|------|-------|----|----|-----|----|----|------|----|----|------|------|------|----|-----------------------|----------------------|-----|
| 420083 | TLAS.Z-16.4/102+R | 16.4 | 102 | 23 | 11 | 3.2 | 2 | 13 | 16 | 44 | 30 | 34.5 | 12.5 | 12 | 5 | 550 | 1200 | 32 |
| 420055 | TLAS.NH-30/193.5+R | 30 | 193.5 | 43 | 19 | 5.3 | 4 | 27 | 21.5 | 90 | 66 | 58.5 | 31.5 | 25.5 | 15 | 2000 | 4000 | 189 |

TLAS.SST



| Code | Description | b2 | L | B | H | d | d1 | b1 | l1 | l2 | l3 | f | f1 | f2 | f3 | Max. working load [N] | Load at breakage [N] | ⚖️ |
|--------|---------------------|------|-------|----|----|-----|----|----|------|----|----|------|------|------|----|-----------------------|----------------------|-----|
| 420084 | TLAS.SST-16.4/102+R | 16.4 | 102 | 23 | 11 | 3.2 | 2 | 13 | 16 | 44 | 30 | 34.5 | 12.5 | 12 | 5 | 550 | 1200 | 32 |
| 420056 | TLAS.SST-30/193.5+R | 30 | 193.5 | 43 | 19 | 5.3 | 4 | 27 | 21.5 | 90 | 66 | 58.5 | 31.5 | 25.5 | 15 | 2000 | 4000 | 189 |



Latches