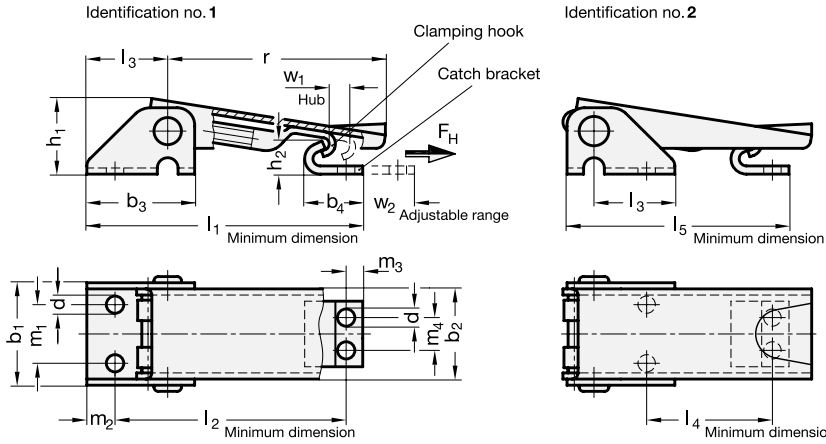




EDDELSTAHL®
Rostfrei
Inox
Stainless
Steel



2 Type

- A** without safety catch
- S** with safety catch
- SV** for safety catch with padlock

4 Identification No.

- 1** long Type
- 2** short Type

1

Size	F _H in N Holding capacity	b ₁	b ₂	b ₃	b ₄	d	h ₁	h ₂	h ₃	h ₄	I ₁ min. Identification No. 1 Type A Type SV	I ₂ min. Identification No. 1 Type S Type SV		
100	1000	25,5	22	26	14	4,2	18,5	8,5	21,5	25,5	67	74	56	63

Size	I ₃	I ₄ min. Identification No. 2 Type A Type SV	I ₄ min. Identification No. 2 Type S Type SV	I ₅ min. Identification No. 2 Type A Type SV	I ₅ min. Identification No. 2 Type S Type SV	m ₁	m ₂	m ₃	m ₄	r	W ₁ ≈ Stroke	W ₂ ≈ Adjustable range Type A Type SV	W ₂ ≈ Adjustable range Type S
100	19,5	31	38	54	61	14,3	7	4	8	51	5,5	12	8

Specification

- Steel **ST**
- Stainless Steel **NI**
 - Parts in sheet metal AISI 304
 - Clamping hook / Pin AISI 303
- *Stainless Steel characteristics → Page 1144*
- **RoHS compliant**

3

Information

Toggle latches GN 831 are used among others for the secure holding of flaps and container lids. The clamps will lock securely over the centre and are thus vibration proof.

The stroke w_1 of the clamping hook can pull the parts to be clamped together by up to 6 mm. The range w_2 can be adjusted on the M6 threaded spindle at the clamping hook.

The types S and SV prevent unwanted release of the toggle latch.

Screws with low head height such as DIN 6912 are used to fix the toggle latches.

The load specified in the table are simply guide line values for a nominal static pulling force which the lock can withstand. Depending on the conditions under which these hook lock clamps are used such as vibration or shock loads, the holding capacity can be adversely affected.

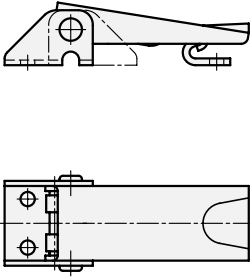
The catch bracket is included.

How to order

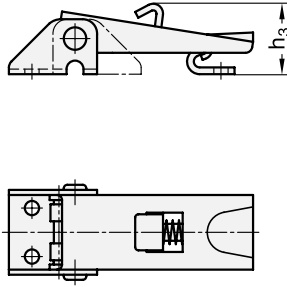
GN831-100-SV-ST-2

- 1** Size
- 2** Type
- 3** Material
- 4** Identification No.

Type **A**
without safety catch



Type **S**
with safety catch



Type **SV**
for safety with padlock

